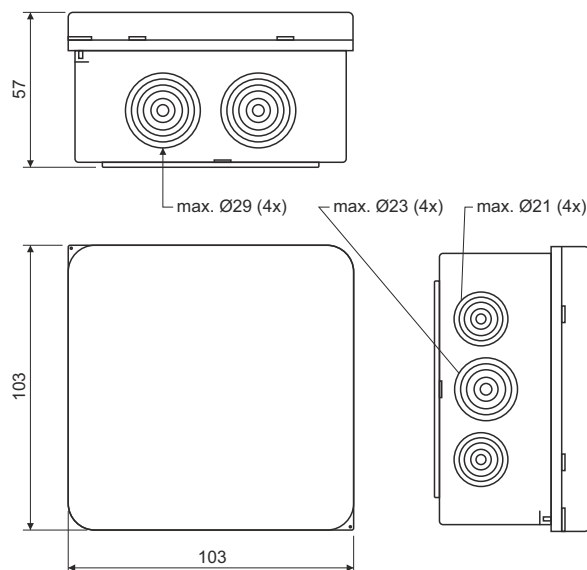


005.CS.K



product description:

designed for distribution system with voltage 400 V and with maximum current 16 A
 intended for installation in environments that require IP 65 protection
 equipped with an eye for sealing
 to install on materials with fire classes A2-F, use thermally insulating pad
 12 inlets: 4x max. Ø29 mm; 4x max. Ø23 mm; 4x max. Ø21 mm

material: halogen-free

color: light gray RAL 7035

temperature resistance: -5 - +60 °C

flaming loop test: 750 °C

fire class for underlying material: A1

protection types: IP 65

weight: 132 g

certification: EN 60 670-1

storage: ČSN 64 0090

configuration: KB - 56 pc boxes with cover in cardboard

accessories: screwless terminal plates TYP015, TYP016, TYP017, TYP018