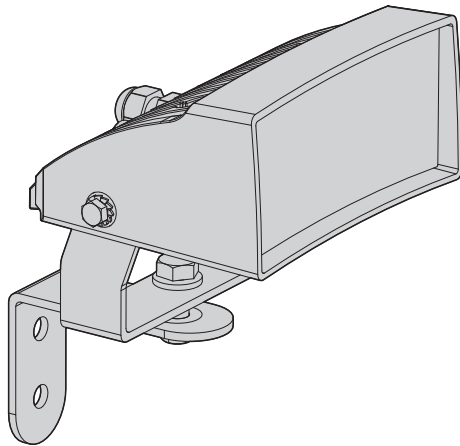




GEKO IRH

LED illuminator



EN English - Instructions manual

IT Italiano - Manuale di istruzioni

FR Français - Manuel d'instructions

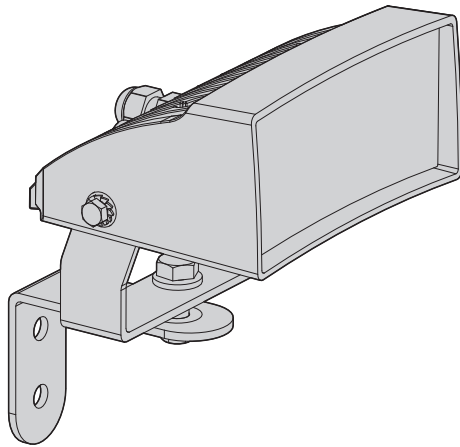
DE Deutsch - Bedienungsanleitung

RU Русский - Руководство по эксплуатации



GEKO IRH

LED illuminator




Contents


1 About this manual	3
1.1 Typographical conventions.....	3
2 Notes on copyright and information on trademarks.....	3
3 Safety rules.....	3
4 Identification.....	5
4.1 Product description and type designation.....	5
4.2 Product marking	5
5 Preparing the product for use	5
5.1 Unpacking and contents.....	5
5.1.1 Unpacking.....	5
5.1.2 Contents.....	5
5.2 Safely disposing of packaging material.....	5
6 Assembling and installing	6
6.1 Assembly.....	6
6.2 Installation.....	6
6.2.1 Installation of wall-mounted illuminator.....	6
6.2.2 Installation of housing-fitted illuminator (OSUPPIR kit).....	7
6.2.3 Connections	7
6.2.4 Twilight sensor activation threshold adjustment	8
6.2.5 Disabling the twilight sensor	8
6.2.6 Power and control cable	8
6.2.7 Cable technical specifications.....	9
7 Disposal of waste materials	9
8 Troubleshooting	9
8.1 Checking the power supply.....	9
8.2 Check operation of the twilight sensor	9
9 Technical data	10
9.1 General	10
9.2 Mechanical.....	10
9.3 Electrical.....	10
9.4 Illuminators.....	10
9.5 Environment.....	10
9.6 Certifications	10
10 Technical drawings	11


1 About this manual


Read all the documentation supplied carefully before installing and using this unit. Keep the manual in a convenient place for future reference.


1.1 Typographical conventions

DANGER!
 **Emission of visible light or infrared.**
Can be harmful for eyes. Pay attention to the provided indications.

DANGER!
 **High level hazard.**
Risk of electric shock. Disconnect the power supply before proceeding with any operation, unless indicated otherwise.

DANGER!
 **Hot surface.**
Avoid contact. Surfaces are hot and may cause personal injury if touched.

CAUTION!
 **Medium level hazard.**
This operation is very important for the system to function properly. Please read the procedure described very carefully and carry it out as instructed.

INFO
 **Description of system specifications.**
We recommend reading this part carefully in order to understand the subsequent stages.

2 Notes on copyright and information on trademarks

The quoted names of products or companies are trademarks or registered trademarks.

3 Safety rules

Do not stare at the lamp when on. Can be harmful for eyes.

The infrared LED illuminator emits high-intensity visible light. In compliance with standard EN62471/IEC62471, the photobiological safety assessment has classified the device in Risk Group 1, where it exceeds the values of the Exempt Group. The risk linked to the observer depends on how the product has been installed and is used. For installation, follow the instructions in this manual. Do not open the illuminator for whatever reason. Do not look directly at the illuminator using optical lenses. Exposure hazard values (EHV): 170.2s (for models IRH10H8A, IRH10L8A, IRH30H8A, IRH30L8A, IRH60H8A, IRH60L8A), 153.2s (for models IRH10H9A IRH30H9A IRH60H9A). Hazard distance (HD): 200mm.

RISK GROUP 1	GROUPE DE RISQUE 1
CAUTION: IR emitted from this product. Use appropriate shielding or eye protection.	ATTENTION: IR sont émis par ce produit. Utiliser un blindage approprié ou une protection oculaire.

Fig. 1 Infrared illuminator.



CAUTION! The white light LED illuminator emits high-intensity visible light. In compliance with standard EN62471/ IEC62471, the photobiological safety assessment has classified the device in Risk Group 2, where it exceeds the values of the Exempt Group. The risk linked to the observer depends on how the product has been installed and is used. For installation, follow the instructions in this manual. Do not open the illuminator for whatever reason. Do not look directly at the illuminator using optical lenses. Exposure hazard values (EHV): 24.3s. Hazard distance (HD): 200mm.

RISK GROUP 2 GROUPE DE RISQUE 2	
<p>CAUTION: Possibly hazardous optical radiation emitted from this product. Do not stare at operating lamp. May be harmful to the eye.</p>	<p>ATTENTION: Des rayonnements optiques dangereux peuvent être émis par ce produit. Ne pas regarder la lampe directement. Peut être dangereux pour les yeux.</p>

Fig. 2 White light illuminator.



During normal operation the surface of the illuminator can reach high temperatures. Do not allow direct contact and position the appliance where it is inaccessible to unauthorised persons. Before touching switch off the illuminator and allow to cool for a minimum period of 10 minutes.



CAUTION! Device installation and maintaining must be performed by specialist technical staff only.

- The manufacturer declines all responsibility for any damage caused by an improper use of the appliances mentioned in this manual. Furthermore, the manufacturer reserves the right to modify its contents without any prior notice. The documentation contained in this manual has been collected with great care. The manufacturer, however, cannot take any liability for its use. The same thing can be said for any person or company involved in the creation and production of this manual.
- Before starting any operation, make sure the power supply is disconnected.
- Be careful not to use cables that seem worn or old.
- Never, under any circumstances, make any changes or connections that are not shown in this handbook. Improper use of the appliance can cause serious hazards, risking the safety of personnel and of the installation.
- Use only original spare parts. Non-original spare parts could cause fire, electrical discharge or other hazards.
- Before proceeding with installation, check the supplied material to make sure it corresponds to the order specification by examining the identification labels (4.2 Product marking, page 5).
- This is a Class A product. In a domestic environment this product may cause radio interference. In this case the user may be required to take adequate measures.

4 Identification

4.1 Product description and type designation

The GEKO lights the entire scene evenly, eliminating hotspots and underexposures, for unbeatable night-time images and secure surveillance of the area.

The high efficiency heat sink body ensures maximum LED durability and protection against over-temperatures, whereas the front glass, made of special technopolymer, provides high infrared transmittance.

The GEKO illuminators are protected against electrostatic discharges.

The illuminators can be powered at 12Vdc to 24Vdc or at 24Vac.

The power supply in a waterproof box, in 230Vac or 120Vac version, is available as an accessory for one or two GEKO illuminators.

GEKO is supplied with a wall-mount bracket that rotates horizontally and vertically and can be assembled in a housing by means of the OSUPPIR bracket.

The GEKO infrared illuminator guarantee is 5 years, while for GEKO with the white light is 2 years.

4.2 Product marking

See the label attached to the product.

5 Preparing the product for use



Any change that is not expressly approved by the manufacturer will invalidate the guarantee.

5.1 Unpacking and contents

5.1.1 Unpacking

When the product is delivered, make sure that the package is intact and that there are no signs that it has been dropped or scratched.

If there are obvious signs of damage, contact the supplier immediately.

Keep the packaging in case you need to send the product for repairs.

5.1.2 Contents

Check the contents to make sure they correspond with the list of materials as below:

- Illuminator with bracket
- Wall-fastening bracket
- Instruction manual

5.2 Safely disposing of packaging material

The packaging material can all be recycled. The installer technician will be responsible for separating the material for disposal, and in any case for compliance with the legislation in force where the device is to be used.

When returning a faulty product we recommend using the original packaging for shipping.

6 Assembling and installing



During normal operation the surface of the illuminator can reach high temperatures. Do not allow direct contact and position the appliance where it is inaccessible to unauthorised persons. Before touching switch off the illuminator and allow to cool for a minimum period of 10 minutes.



Do not stare directly into the lamp at a distance of less than 1.7m (5.6ft).



The assembly and installation must be performed only by skilled personnel.

6.1 Assembly

Fasten the top bracket (01) to the illuminator using the screws and washers (02) supplied.

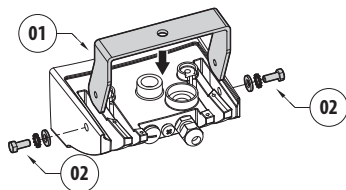


Fig. 3

6.2 Installation

6.2.1 Installation of wall-mounted illuminator



The illuminator's position can be decided at the time of installation.

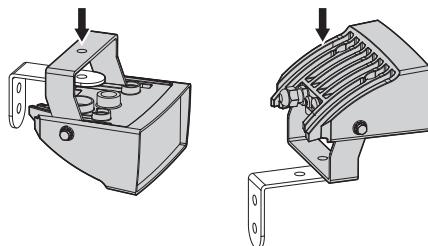


Fig. 4

Fasten the bracket as shown in the figure. Drive the wall screws in tight.

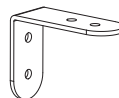


Fig. 5

Fasten the illuminator, complete with its bracket, using the screw, the nut and the washer supplied.

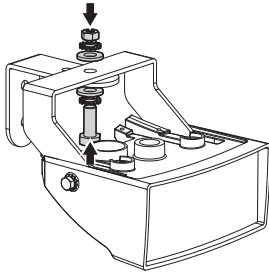


Fig. 6

Set the illuminator's vertical and horizontal inclination by adjusting the two fastening screws.

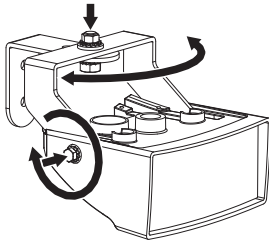


Fig. 7

Check the resulting illumination range on the screen. Tighten all the screws.

6.2.2 Installation of housing-fitted illuminator (OSUPPIR kit)

Fasten the plate (01) between the bottom of the housing (02) and the bracket (03) using the screws supplied (04).

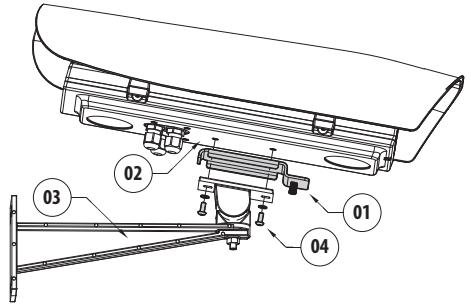


Fig. 8

Fasten the illuminator (complete with its bracket) using the nut and the washer.

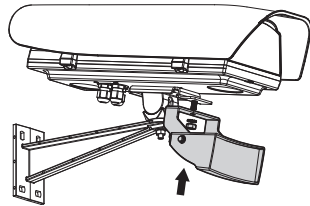


Fig. 9

Set the vertical and horizontal inclination (Fig. 7, page 7).

Check the resulting illumination range on the screen. Tighten all the screws.

6.2.3 Connections

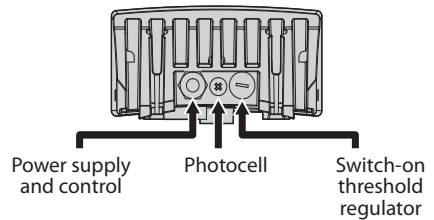


Fig. 10

6.2.4 Twilight sensor activation threshold adjustment

The illuminator has an integrated twilight sensor that allows its automatic activation and deactivation at predefined luminous conditions.

The twilight sensor is set in the factory at a predetermined luminous level, suitable for most installations (approximately 50lx). If you want to adjust in different ways the threshold, loosen the plug on the illuminator rear and proceed for the adjustment with a screwdriver.

By rotating the trimmer clockwise, the night mode changeover is anticipated (at a greater luminous value). By rotating the trimmer anti-clockwise, the night mode changeover is delayed (at a lower luminous value).

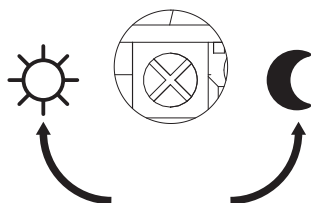


Fig. 11

Wait for appropriate brightness before switching on the illuminator. Rotate the trimmer slowly until the LED on the side of the trimmer switches on. Once the intervention threshold has been surpassed (LED on), rotate it slightly in the opposite direction.



After making the adjustments make sure that the plug is closed tight to ensure perfect sealing.



When setting the illuminator to be switched on automatically by the embedded light sensitive switch, make sure to insulate the remote control (telemetry) cables in the power cord (green and red colors).

6.2.5 Disabling the twilight sensor

To disable the lamp's automatic switch-on set the brightness to minimum (turn the potentiometer all the way anticlockwise). With this setting the lamp can only be switched on by closing the telemetry contact, if the system is equipped with a central light sensitive switch or a remote-controlled contact.

6.2.6 Power and control cable

The illuminator is supplied with a 2m (6.6ft) long power and control cord.

Power cables (white, black): The illuminator can be powered either by 24Vac/Vdc or 12Vdc. Provide power to the black and white cable pair (white, black, the polarity is irrelevant). For proper operation please refer to the charts, taking into account the power supply and the type of illuminator installed (6.2.7 Cable technical specifications, page 9).



To avoid product malfunctions connect 2 illuminators maximum for each power supply.

Remote control (telemetry) cables, green and red colors:

The control cable (telemetry) lets you turn on the illuminator remotely by means of a dry contact applied between the ends of the green and red cables. For proper operation, make sure that the photocell is disabled (6.2.5 Disabling the twilight sensor, page 8). Close the contact to turn on the illuminator. Open the contact to turn it off.

6.2.7 Cable technical specifications

Depending on the type of illuminator (Low or High Power) and on the supply voltage, apply the following maximum lengths for the power cables (to be connected to the black and white wire pair).

CABLES SPECIFICATIONS (12VDC)		
Cable section	Maximum length	
	Low Power illuminator	High Power illuminator
0.5mm ² (20AWG)	10m (32ft)	6m (19.7ft)
0.75mm ² (18AWG)	16m (52ft)	9m (29.5ft)
1mm ² (17AWG)	22m (72.2ft)	12m (39ft)
1.5mm ² (16AWG)	32m (105ft)	18m (59.1ft)

Tab. 1

CABLES SPECIFICATIONS (24VAC/VDC)		
Cable section	Maximum length	
	Low Power illuminator	High Power illuminator
0.34mm ² (22AWG)	25m (82ft)	15m (49.2ft)
0.5mm ² (20AWG)	40m (131ft)	22m (72.2ft)
0.75mm ² (18AWG)	60m (197ft)	35m (114ft)
1.5mm ² (16AWG)	120m (393ft)	70m (229ft)

Tab. 2

For the telemetry cable (green and red colors), use a conductor with a minimum cross-section of 0.34mm² (22AWG) and a maximum length of 200m (656ft).

7 Disposal of waste materials



This symbol mark and recycle system are applied only to EU countries and not applied to the countries in the other area of the world.

Your product is designed and manufactured with high quality materials and components which can be recycled and reused.

This symbol means that electrical and electronic equipment, at their end-of-life, should be disposed of separately from your household waste.

Please dispose of this equipment at your local Community waste collection or Recycling centre.

In the European Union there are separate collection systems for used electrical and electronic products.

8 Troubleshooting

8.1 Checking the power supply

Check that the unit is supplied with a voltage between 12-24Vdc or 24Vac +/- 10%.

8.2 Check operation of the twilight sensor

Check operation of the twilight sensor by darkening it with black tape.

Leave the telemetry connection open.

9 Technical data

9.1 General

Die cast aluminum body

Supplied complete with horizontal and vertical rotating support in painted galvanized steel

Wavelengths: 850nm, 940nm, white light

9.2 Mechanical

Dimensions: 133x112x135mm (5.2x4.4x5.3in)

Unit weight: 0.9kg

9.3 Electrical

Supply voltage/Current consumption:

- From 12Vdc up to 24Vdc, 1A max (high power, 4 LED) or 0.5A max (low power, 2 LED)
- 24Vac, 1A max (high power, 4 LED) or 0.5A max (low power, 2 LED), 50/60Hz

State of the art SMD LED

Adjustable built-in photocell for automatic activation and deactivation

Input for activation by means of external dry contact

Supplied with multipole cable: 4x0.34mm² (22AWG), L=2m

9.4 Illuminators

GEKO IRH - BEAM PATTERN AND ACHIEVABLE DISTANCES FOR ONE ILLUMINATOR				
Horizontal and vertical beam patterns	Maximum distance			
	850nm, low power	850nm, high power	940nm, high power	White light, high power
10°	100m (328ft)	140m (460ft)	100m (328ft)	–
30°	60m (197ft)	84m (276ft)	60m (197ft)	60m (197ft) ¹
60°	40m (131ft)	56m (184ft)	40m (131ft)	40m (131ft) ¹

Tab. 3 The distances and the performance depend on the camera/lens used and on the environmental light conditions.

¹ Achievable distances with camera in Day mode (colour image)

9.5 Environment

Indoor/Outdoor

Operating temperature: From -40°C (-40°F) up to +60°C (140°F)

9.6 Certifications

Electrical safety (CE): EN60950-1, EN60950-22

Electromagnetic compatibility (CE): EN50130-4, EN55022 (Class A), FCC Part 15 (Class A)

Photobiological safety (CE): EN62471

IP protection degree: EN60529, IP66

IK protection degree: EN62262 (IK10)

UL certification: cULus Listed (TYPE 4X)

EAC certification

10 Technical drawings

i The dimensions of the drawings are in millimetres.

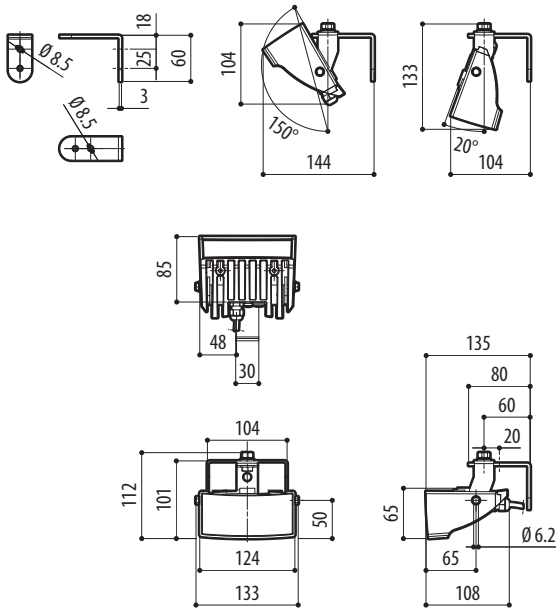


Fig. 12 GEKO IRH.

Headquarters Italy Videotec S.p.A.

Via Friuli, 6 - I-36015 Schio (VI) - Italy
Tel. +39 0445 697411 - Fax +39 0445 697414
Email: info@videotec.com

Asia Pacific Videotec (HK) Ltd

Flat 8, 19/F. On Dak Industrial Building, No. 2-6 Wah Sing Street
Kwai Chung, New Territories - Hong Kong
Tel. +852 2333 0601 - Fax +852 2311 0026
Email: info.hk@videotec.com

France Videotec France SARL

Immeuble Le Montreal, 19bis Avenue du Québec, ZA de Courtaboeuf
91140 Villebon sur Yvette - France
Tel. +33 1 60491816 - Fax +33 1 69284736
Email: info.fr@videotec.com

Americas Videotec Security, Inc.

Gateway Industrial Park, 35 Gateway Drive, Suite 100
Plattsburgh, NY 12901 - U.S.A.
Tel. +1 518 825 0020 - Fax +1 518 825 0022
Email: info.usa@videotec.com - www.videotec.com



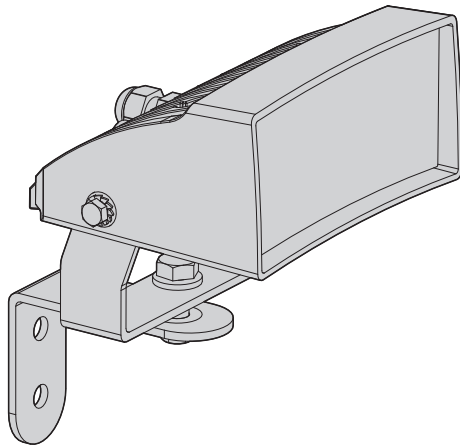
www.videotec.com

MNVCI RHS_1634_EN



GEKO IRH

illuminatore a LED




Sommario


1 Informazioni sul presente manuale	3
1.1 Convenzioni tipografiche	3
2 Note sul copyright e informazioni sui marchi commerciali.....	3
3 Norme di sicurezza	3
4 Identificazione	5
4.1 Descrizione e designazione del prodotto.....	5
4.2 Marcatura del prodotto	5
5 Preparazione del prodotto per l'utilizzo.....	5
5.1 Disimballaggio e contenuto	5
5.1.1 Disimballaggio.....	5
5.1.2 Contenuto	5
5.2 Smaltimento in sicurezza dei materiali di imballaggio.....	5
6 Assemblaggio e installazione	6
6.1 Assemblaggio	6
6.2 Installazione.....	6
6.2.1 Installazione dell'illuminatore a muro.....	6
6.2.2 Installazione dell'illuminatore su custodia (kit OSUPPIR)	7
6.2.3 Collegamenti.....	7
6.2.4 Regolazione della soglia di intervento del sensore crepuscolare.....	8
6.2.5 Disattivazione del sensore crepuscolare.....	8
6.2.6 Cavo di alimentazione e controllo.....	8
6.2.7 Specifiche tecniche dei cavi.....	9
7 Smaltimento dei rifiuti	9
8 Risoluzione dei problemi	9
8.1 Controllo dell'alimentazione elettrica.....	9
8.2 Verifica della funzionalità del sensore crepuscolare	9
9 Dati tecnici	10
9.1 Generale	10
9.2 Meccanica.....	10
9.3 Elettrico	10
9.4 Illuminatori.....	10
9.5 Ambiente.....	10
9.6 Certificazioni.....	10
10 Disegni tecnici	11


1 Informazioni sul presente manuale


Prima di installare e utilizzare questa unità, leggere attentamente tutta la documentazione fornita. Tenere il manuale a portata di mano per consultazioni successive.


1.1 Convenzioni tipografiche

 **PERICOLO!**
Emissione di luce visibile o infrarossa. Può essere dannoso per gli occhi. Prestare attenzione alle indicazioni fornite.

 **PERICOLO!**
Pericolosità elevata.
Rischio di scosse elettriche. Prima di eseguire qualsiasi operazione assicurarsi di togliere tensione al prodotto, salvo diversa indicazione.

 **PERICOLO!**
Superficie calda.
Evitare il contatto. Le superfici sono calde e potrebbero causare danni alla persona in caso di contatto.

 **ATTENZIONE!**
Pericolosità media.
L'operazione è molto importante per il corretto funzionamento del sistema. Si prega di leggere attentamente la procedura indicata e di eseguirla secondo le modalità previste.


 **INFO**
Descrizione delle caratteristiche del sistema.
Si consiglia di leggere attentamente per comprendere le fasi successive.

2 Note sul copyright e informazioni sui marchi commerciali

I nomi di prodotto o di aziende citati sono marchi commerciali o marchi commerciali registrati appartenenti alle rispettive società.

3 Norme di sicurezza

 **Non fissare la lampada in funzione. Può essere dannoso per gli occhi.**

 **L'illuminatore a LED a luce infrarossa emette luce ad alta intensità visibile. La valutazione foto-biologica di sicurezza, in accordo con la norma EN62471/ IEC62471, ha portato alla classificazione del dispositivo nel Gruppo di Rischio 1, dove si superano i valori del Gruppo Esente. Il rischio correlato all'osservatore dipende da come gli utenti installano e utilizzano il prodotto. Per l'installazione seguire le istruzioni contenute in questo manuale. Non aprire l'illuminatore per qualsiasi motivo. Non guardare l'illuminatore direttamente utilizzando strumenti ottici. Valori di esposizione pericolosa (EHV): 170.2s (per i modelli IRH10H8A, IRH10L8A, IRH30H8A, IRH30L8A, IRH60H8A, IRH60L8A), 153.2s (per i modelli IRH10H9A, IRH30H9A, IRH60H9A). Distanze di pericolo (HD): 200mm.**

RISK GROUP 1	GROUPE DE RISQUE 1
CAUTION: IR emitted from this product. Use appropriate shielding or eye protection.	ATTENTION: IR sont émis par ce produit. Utiliser un blindage approprié ou une protection oculaire.

Fig. 1 Illuminatore infrarosso.



ATTENZIONE! L'illuminatore a LED a luce bianca emette luce ad alta intensità visibile. La valutazione foto-biologica di sicurezza, in accordo con la norma EN62471/ IEC62471, ha portato alla classificazione del dispositivo nel Gruppo di Rischio 2, dove si superano i valori del Gruppo Esente. Il rischio correlato all'osservatore dipende da come gli utenti installano e utilizzano il prodotto. Per l'installazione seguire le istruzioni contenute in questo manuale. **Non aprire l'illuminatore per qualsiasi motivo. Non guardare l'illuminatore direttamente utilizzando strumenti ottici. Valori di esposizione pericolosa (EHV): 24.3s. Distanze di pericolo (HD): 200mm.**

RISK GROUP 2	GROUPE DE RISQUE 2
<p>CAUTION: Possibly hazardous optical radiation emitted from this product. Do not stare at operating lamp. May be harmful to the eye.</p>	<p>ATTENTION: Des rayonnements optiques dangereux peuvent être émis par ce produit. Ne pas regarder la lampe directement. Peut être dangereux pour les yeux.</p>

Fig. 2 Illuminatore a luce bianca.



Durante il normale funzionamento la superficie dell'illuminatore può raggiungere temperature elevate. Evitare il contatto diretto e posizionare l'apparecchiatura in luogo non accessibile al personale non autorizzato. Per qualunque operazione di manutenzione spegnere il dispositivo d'illuminazione e lasciarlo raffreddare per almeno 10 minuti.



ATTENZIONE! L'installazione e la manutenzione del dispositivo deve essere eseguita solo da personale tecnico specializzato.

- Il produttore declina ogni responsabilità per eventuali danni derivanti da un uso improprio delle apparecchiature menzionate in questo manuale. Si riserva inoltre il diritto di modificarne il contenuto senza preavviso. Ogni cura è stata posta nella raccolta e nella verifica della documentazione contenuta in questo manuale. Il produttore, tuttavia, non può assumersi alcuna responsabilità derivante dall'utilizzo della stessa. Lo stesso dicasi per ogni persona o società coinvolta nella creazione e nella produzione di questo manuale.
- Prima di eseguire qualsiasi operazione assicurarsi di togliere tensione al prodotto.
- Non utilizzare cavi con segni di usura o invecchiamento.
- Non effettuare per nessun motivo alterazioni o collegamenti non previsti in questo manuale. L'uso di apparecchi non idonei può portare a gravi pericoli per la sicurezza del personale e dell'impianto.
- Utilizzare solo parti di ricambio originali. Pezzi di ricambio non originali potrebbero causare incendi, scariche elettriche o altri pericoli.
- Prima di procedere con l'installazione, controllare che il materiale fornito corrisponda alle specifiche richieste esaminando le etichette di marcatura (4.2 Marcatura del prodotto, pagina 5).
- Questo è un prodotto di Classe A. In un ambiente residenziale questo prodotto può provocare radiodisturbi. In questo caso può essere richiesto all'utilizzatore di prendere misure adeguate.

4 Identificazione

4.1 Descrizione e designazione del prodotto

GEKO illumina l'intera scena in modo omogeneo eliminando macchie di luce e sottoesposizioni per insuperabili immagini notturne e una sicura sorveglianza dell'area.

Il corpo dissipatore ad alta efficienza garantisce la massima durata dei LED e protezione contro le sovratemperature, mentre il vetro frontale, in speciale tecnopolimero, offre un'elevata trasmittanza infrarossa.

Gli illuminatori GEKO sono protetti contro le scariche elettrostatiche.

Gli illuminatori possono essere alimentati da 12Vdc a 24Vdc oppure in 24Vac.

L'alimentatore in scatola stagna, in versione 230Vac o 120Vac, è disponibile come accessorio per uno o due illuminatori GEKO.

GEKO é fornito con supporto per il montaggio a muro con rotazione orizzontale e verticale e può essere montato sotto custodia tramite il supporto OSUPPIR.

La garanzia di GEKO illuminatore infrarosso é di 5 anni, mentre per GEKO a luce bianca é di 2 anni.

4.2 Marcatura del prodotto

Vedere l'etichetta posta sul prodotto.

5 Preparazione del prodotto per l'utilizzo



Qualsiasi cambiamento non espressamente approvato dal costruttore fa decadere la garanzia.

5.1 Disimballaggio e contenuto

5.1.1 Disimballaggio

Alla consegna del prodotto verificare che l'imballo sia integro e non abbia segni evidenti di cadute o abrasioni.

In caso di evidenti segni di danno all'imballo contattare immediatamente il fornitore.

Conservare l'imballo nel caso sia necessario inviare il prodotto in riparazione.

5.1.2 Contenuto

Controllare che il contenuto sia corrispondente alla lista del materiale sotto elencata:

- Illuminatore con staffa
- Staffa fissaggio a muro
- Manuale di istruzioni

5.2 Smaltimento in sicurezza dei materiali di imballaggio

I materiali d'imballo sono costituiti interamente da materiale riciclabile. Sarà cura del tecnico installatore smaltirli secondo le modalità di raccolta differenziata o comunque secondo le norme vigenti nel Paese di utilizzo.

In caso di restituzione del prodotto malfunzionante è consigliato l'utilizzo dell'imballaggio originale per il trasporto.

6 Assemblaggio e installazione



Durante il normale funzionamento la superficie dell'illuminatore può raggiungere temperature elevate. Evitare il contatto diretto e posizionare l'apparecchiatura in luogo non accessibile al personale non autorizzato. Per qualunque operazione di manutenzione spegnere il dispositivo d'illuminazione e lasciarlo raffreddare per almeno 10 minuti.



Non guardare direttamente la lampada quando ci si trova a meno di 1.7m.



L'assemblaggio e l'installazione vanno eseguiti solo da personale qualificato.

6.1 Assemblaggio

Fissare la staffa superiore (01) all'illuminatore tramite le viti e rondelle (02) fornite in dotazione.

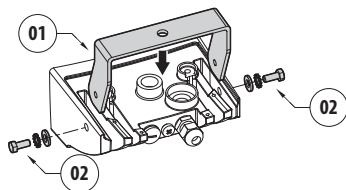


Fig. 3

6.2 Installazione

6.2.1 Installazione dell'illuminatore a muro



In fase di installazione è possibile decidere la posizione dell'illuminatore.

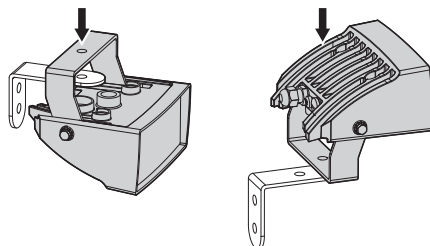


Fig. 4

Fissare la staffa come descritto in figura, serrando a fondo le viti a parete.

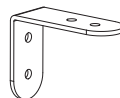


Fig. 5

Fissare l'illuminatore completo di staffa tramite vite, dado e rondelle in dotazione.

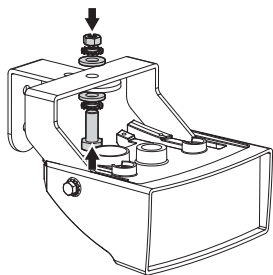


Fig. 6

Regolare l'inclinazione verticale ed orizzontale dell'illuminatore agendo sulle apposite viti di fissaggio.

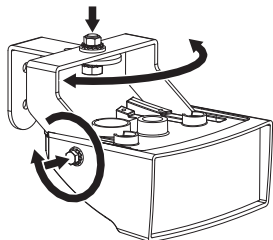


Fig. 7

Verificare a monitor il campo di illuminazione ottenuto. Serrare a fondo tutte le viti.

6.2.2 Installazione dell'illuminatore su custodia (kit OSUPPIR)

Fissare la piastra (01) tra fondo custodia (02) e staffa (03) tramite le viti in dotazione (04).

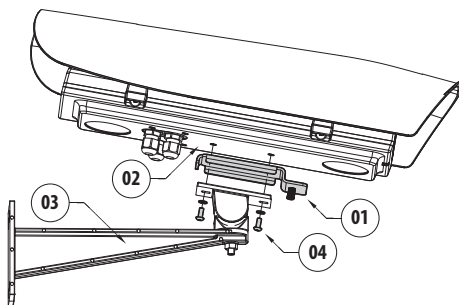


Fig. 8

Fissare l'illuminatore completo di staffa tramite il dado e la rondella.

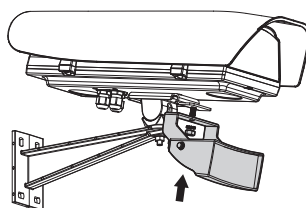


Fig. 9

Regolare l'inclinazione verticale ed orizzontale (Fig. 7, pagina 7).

Verificare a monitor il campo di illuminazione ottenuto. Serrare a fondo tutte le viti.

6.2.3 Collegamenti

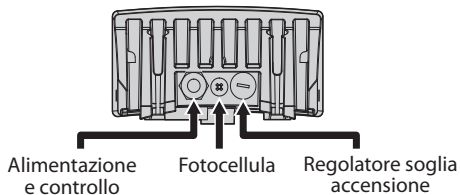


Fig. 10

6.2.4 Regolazione della soglia di intervento del sensore crepuscolare

L'illuminatore ha un sensore crepuscolare integrato che consente l'accensione e lo spegnimento automatico a condizioni luminose prestabilite.

La regolazione del sensore crepuscolare è effettuata in fabbrica ad un livello luminoso prefissato ed idoneo alla maggior parte delle installazioni (circa 50lx). Nel caso si voglia regolare in maniera diversa la soglia di intervento, svitare il tappo in metallo posizionato sul retro dell'illuminatore e provvedere alla regolazione tramite un cacciavite.

Ruotando il trimmer in senso orario la commutazione in modalità notturna è anticipata (ad un valore di luminosità maggiore). Ruotando il trimmer in senso antiorario la commutazione in modalità notturna è ritardata (ad un valore di luminosità inferiore).

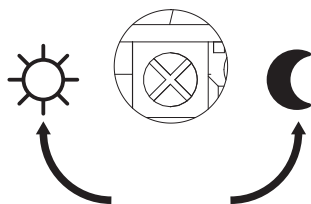


Fig. 11

Attendere le condizioni di luminosità adeguate per l'accensione dell'illuminatore. Ruotare lentamente il trimmer fino all'accensione del LED presente a lato del trimmer. Una volta oltrepassata la soglia di intervento (LED acceso), ruotare leggermente in senso opposto.



Al termine delle regolazioni accertarsi che il tappo di chiusura sia adeguatamente serrato per garantire la tenuta ermetica del prodotto.



Nel caso di utilizzo dell'accensione automatica dell'illuminatore mediante interruttore crepuscolare incorporato, assicurarsi di isolare opportunamente i cavi relativi al controllo remoto (Telemetria) presenti nel cordone di alimentazione (colori verde e rosso).

6.2.5 Disattivazione del sensore crepuscolare

Per disabilitare l'accensione automatica dell'illuminatore impostare la luminosità al minimo (regolare il potenziometro in senso antiorario fino a finecorsa). In questa maniera si potrà accendere l'illuminatore solamente mediante chiusura del contatto di telemetria, nel caso si disponga di un impianto a crepuscolare centralizzato o di un contatto attivabile da remoto.

6.2.6 Cavo di alimentazione e controllo

L'illuminatore viene provvisto con un cordone di alimentazione e di controllo lungo 2m.

Cavi di alimentazione (bianco, nero): L'illuminatore può essere alimentato sia a 24Vac/Vdc sia a 12Vdc. Fornire alimentazione alla coppia di cavi (bianco, nero, la polarità è irrilevante). Per un corretto funzionamento, a seconda del tipo di alimentazione e del modello di illuminatore scelto, fare riferimento alle tabelle (6.2.7 Specifiche tecniche dei cavi, pagina 9).



Per evitare malfunzionamenti del prodotto collegare al massimo 2 illuminatori per ogni alimentatore.

Cavi di controllo remoto (telemetria), colori verde e rosso:

Il cavo di controllo (telemetria), permette una accensione da remoto dell'illuminatore mediante un contatto pulito applicato tra le estremità dei cavi verde e rosso. Per un corretto funzionamento, assicurarsi di avere disabilitato la fotocellula (6.2.5 Disattivazione del sensore crepuscolare, pagina 8). Chiudere il contatto per accendere l'illuminatore. Aprire il contatto per spegnerlo.

6.2.7 Specifiche tecniche dei cavi

In relazione al tipo di illuminatore (modello Low o High power) e alla tensione di alimentazione, attenersi alle seguenti lunghezze massime per i cavi di alimentazione (da collegare alla coppia di fili bianco e nero).

SPECIFICHE DEI CAVI (12VDC)		
Sezione del cavo	Lunghezza massima	
	Illuminatore versione Low Power	Illuminatore versione High Power
0.5mm ² (20AWG)	10m	6m
0.75mm ² (18AWG)	16m	9m
1mm ² (17AWG)	22m	12m
1.5mm ² (16AWG)	32m	18m

Tab. 1

SPECIFICHE DEI CAVI (24VAC/VDC)		
Sezione del cavo	Lunghezza massima	
	Illuminatore versione Low Power	Illuminatore versione High Power
0.34mm ² (22AWG)	25m	15m
0.5mm ² (20AWG)	40m	22m
0.75mm ² (18AWG)	60m	35m
1.5mm ² (16AWG)	120m	70m

Tab. 2

Per il cavo di telemetria (colori verde e rosso), utilizzare un conduttore di sezione minima 0,34mm² (22AWG) e una lunghezza massima di 200m.

7 Smaltimento dei rifiuti



Questo simbolo e il sistema di riciclaggio sono validi solo nei paesi dell'EU e non trovano applicazione in altri paesi del mondo.

Il vostro prodotto è costruito con materiali e componenti di alta qualità, che sono riutilizzabili o riciclabili.

Prodotti elettrici ed elettronici che riportano questo simbolo, alla fine dell'uso, devono essere smaltiti separatamente dai rifiuti casalinghi.

Vi preghiamo di smaltire questo apparecchio in un Centro di raccolta o in un'Ecostazione.

Nell'Unione Europea esistono sistemi di raccolta differenziata per prodotti elettrici ed elettronici.

8 Risoluzione dei problemi

8.1 Controllo dell'alimentazione elettrica

Controllare che l'unità sia alimentata con una tensione compresa tra 12-24Vdc o 24Vac +/-10%.

8.2 Verifica della funzionalità del sensore crepuscolare

Verificare la funzionalità del sensore crepuscolare oscurandolo con del nastro nero.

Lasciare aperto il contatto di telemetria.

9 Dati tecnici

9.1 Generale

Corpo in pressofusione di alluminio

Fornito completo di supporto con rotazione orizzontale e verticale in acciaio zincato e verniciato

Lunghezze d'onda: 850nm, 940nm, luce bianca

9.2 Meccanica

Dimensioni: 133x112x135mm

Peso unitario: 0.9kg

9.3 Elettrico

Tensione di alimentazione/Corrente assorbita:

- Da 12Vdc fino a 24Vdc, 1A max (alta potenza, 4 LED) oppure 0.5A max (bassa potenza, 2 LED)
- 24Vac, 1A max (alta potenza, 4 LED) oppure 0.5A max (bassa potenza, 2 LED), 50/60Hz

LED SMD allo stato dell'arte

Fotocellula integrata regolabile per accensione e spegnimento automatico

Ingresso per accensione tramite contatto pulito esterno

Fornito con cavo multipolare: 4x0.34mm² (22AWG), L=2m

9.4 Illuminatori

GEKO IRH - ANGOLO DI DIFFUSIONE E DISTANZE ILLUMINATORE SINGOLO				
Angolo di diffusione orizzontale e verticale	Distanza massima			
	850nm, bassa potenza	850nm, alta potenza	940nm, alta potenza	Luce bianca, alta potenza
10°	100m	140m	100m	-
30°	60m	84m	60m	60m ¹
60°	40m	56m	40m	40m ¹

Tab. 3 Le distanze e le prestazioni dipendono dal tipo di telecamera/obiettivo usati e dalle condizioni di luce ambientali.

¹ Distanze ottenute con telecamera impostata in modalità Giorno (immagine a colori).

9.5 Ambiente

Interno/Esterno

Temperatura di esercizio: Da -40°C fino a +60°C

9.6 Certificazioni

Sicurezza elettrica (CE): EN60950-1, EN60950-22

Compatibilità elettromagnetica (CE): EN50130-4, EN55022 (Classe A), FCC Part 15 (Classe A)

Sicurezza fotobiologica (CE): EN62471

Grado di protezione IP: EN60529, IP66

Grado di protezione IK: EN62262 (IK10)

Certificazione UL: cULus Listed (TYPE 4X)

Certificazione EAC

10 Disegni tecnici

i Le dimensioni dei disegni sono espresse in millimetri.

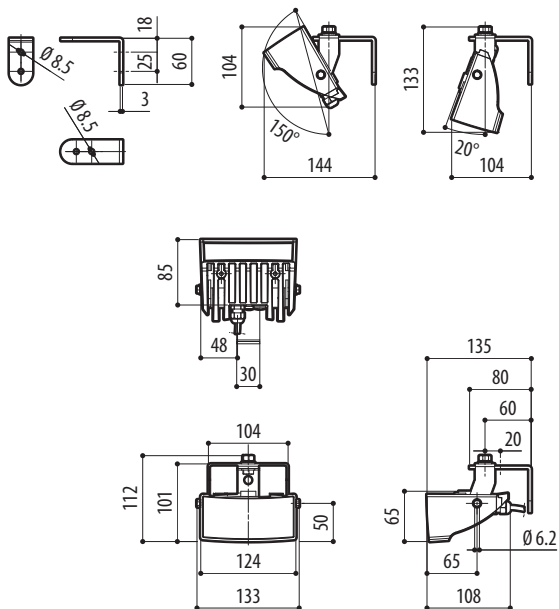


Fig. 12 GEKO IRH.

Headquarters Italy Videotec S.p.A.

Via Friuli, 6 - I-36015 Schio (VI) - Italy
Tel. +39 0445 697411 - Fax +39 0445 697414
Email: info@videotec.com

Asia Pacific Videotec (HK) Ltd

Flat 8, 19/F. On Dak Industrial Building, No. 2-6 Wah Sing Street
Kwai Chung, New Territories - Hong Kong
Tel. +852 2333 0601 - Fax +852 2311 0026
Email: info.hk@videotec.com

France Videotec France SARL

Immeuble Le Montreal, 19bis Avenue du Québec, ZA de Courtaboeuf
91140 Villebon sur Yvette - France
Tel. +33 1 60491816 - Fax +33 1 69284736
Email: info.fr@videotec.com

Americas Videotec Security, Inc.

Gateway Industrial Park, 35 Gateway Drive, Suite 100
Plattsburgh, NY 12901 - U.S.A.
Tel. +1 518 825 0020 - Fax +1 518 825 0022
Email: info.usa@videotec.com - www.videotec.com



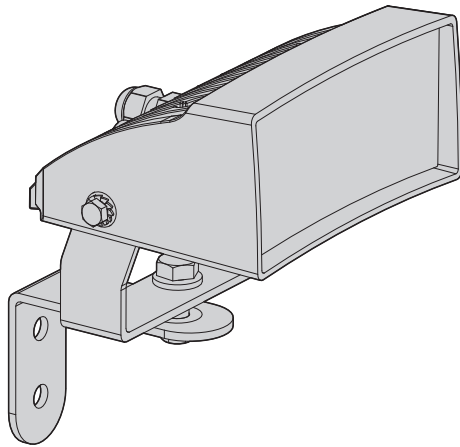
www.videotec.com

MNVCI R HS_1634_IT



GEKO IRH

Projecteur à LED



Sommaire

1 À propos de ce mode d'emploi	3
1.1 Conventions typographiques	3
2 Notes sur le copyright et informations sur les marques de commerce	3
3 Normes de sécurité.....	3
4 Identification.....	5
4.1 Description et désignation du produit	5
4.2 Marquage du produit.....	5
5 Préparation du produit en vue de l'utilisation.....	5
5.1 Déballage et contenu.....	5
5.1.1 Déballage	5
5.1.2 Contenu	5
5.2 Élimination sans danger des matériaux d'emballage.....	5
6 Assemblage et installation	6
6.1 Assemblage	6
6.2 Installation.....	6
6.2.1 Installation du projecteur sur le mur.....	6
6.2.2 Installation du projecteur sur le caisson (kit OSUPPIR).....	7
6.2.3 Connexions	7
6.2.4 Réglage du seuil d'intervention du capteur crépusculaire	8
6.2.5 Désactivation du capteur crépusculaire.....	8
6.2.6 Câble d'alimentation et de contrôle	8
6.2.7 Spécifications techniques des câbles.....	9
7 Élimination des déchets	9
8 Dépannage.....	9
8.1 Contrôle de l'alimentation électrique	9
8.2 Contrôle de fonctionnement du capteur crépusculaire	9
9 Données techniques.....	10
9.1 Généralités	10
9.2 Mécanique.....	10
9.3 Électrique.....	10
9.4 Projecteurs	10
9.5 Environnement.....	10
9.6 Certifications	10
10 Dessins techniques.....	11

1 À propos de ce mode d'emploi

Avant d'installer et d'utiliser cette unité, lire attentivement toute la documentation fournie. Garder le manuel à portée de main pour des consultations successives.

1.1 Conventions typographiques



DANGER!

Émission de lumière visible ou infrarouge. Peut être dangereux pour les yeux. Suivre les indications fournies.



DANGER!

Risque élevé.

Risque de choc électrique. Sauf indication contraire, sectionner l'alimentation avant de procéder à toute opération.



DANGER!

Surface à température élevée.

Évitez le contact. La température des surfaces est élevée et leur contact peut provoquer des blessures corporelles.



ATTENTION!

Risque moyen.

Opération extrêmement importante en vue d'un fonctionnement correct du système. Lire avec attention les opérations indiquées et s'y conformer rigoureusement.



REMARQUE

Description des caractéristiques du système.

Il est conseillé de procéder à une lecture attentive pour une meilleure compréhension des phases suivantes.

3 Normes de sécurité



Ne pas fixer l'ampoule lorsqu'elle est en marche. Peut être dangereux pour les yeux.



Le projecteur à LED à lumière infrarouge émet de la lumière à haute intensité visible. L'évaluation photo-biologique de sécurité, conformément à la norme EN62471/CEI62471, a donné le classement du dispositif dans le Groupe de Risque 1, où les valeurs du Groupe Exonéré sont dépassées. Le risque lié à l'observateur dépend de la manière dont les utilisateurs installent et utilisent le produit. Pour l'installation, suivre les instructions de ce manuel. N'ouvrir le projecteur sous aucun prétexte. Ne pas regarder directement le projecteur en utilisant des instruments optiques. Valeurs d'exposition dangereuse (EHV): 170.2s (pour les modèles IRH10H8A, IRH10L8A, IRH30H8A, IRH30L8A, IRH60H8A, IRH60L8A), 153.2s (pour les modèles IRH10H9A, IRH30H9A, IRH60H9A). Distances de danger (HD): 200mm.

RISK GROUP 1	GROUPE DE RISQUE 1
<p>CAUTION: IR emitted from this product. Use appropriate shielding or eye protection.</p>	<p>ATTENTION: IR sont émis par ce produit. Utiliser un blindage approprié ou une protection oculaire.</p>

Fig. 1 Projecteur infrarouge.

2 Notes sur le copyright et informations sur les marques de commerce

Les noms de produit ou de sociétés cités sont des marques de commerce ou des marques de commerce enregistrées.



ATTENTION! Le projecteur à LED à lumière blanche émet de la lumière à haute intensité visible. L'évaluation photobiologique de sécurité, conformément à la norme EN62471/CEI62471, a donné le classement du dispositif dans le Groupe de Risque 2, où les valeurs du Groupe Exonéré sont dépassées. Le risque lié à l'observateur dépend de la manière dont les utilisateurs installent et utilisent le produit. Pour l'installation, suivre les instructions de ce manuel. N'ouvrir le projecteur sous aucun prétexte. Ne pas regarder directement le projecteur en utilisant des instruments optiques. Valeurs d'exposition dangereuse (EHV): 24.3s. Distances de danger (HD): 200mm.

RISK GROUP 2	GROUPE DE RISQUE 2
<p>CAUTION: Possibly hazardous optical radiation emitted from this product. Do not stare at operating lamp. May be harmful to the eye.</p>	<p>ATTENTION: Des rayonnements optiques dangereux peuvent être émis par ce produit. Ne pas regarder la lampe directement. Peut être dangereux pour les yeux.</p>

Fig. 2 Projecteur à lumière blanche.



Durant le fonctionnement normal, la surface du projecteur peut atteindre des températures élevées. Éviter le contact direct et positionner l'appareil dans un endroit non accessible au personnel non autorisé. Avant de la toucher, éteindre le dispositif d'illumination et le laisser refroidir durant 10 minutes minimum.



ATTENTION! L'installation et l'entretien du dispositif doivent être effectués exclusivement par un personnel technique qualifié.

- Le fabricant décline toute responsabilité pour les dommages éventuels dus à une utilisation non appropriée des appareils mentionnés dans ce manuel. On réserve en outre le droit d'en modifier le contenu sans préavis. La documentation contenue dans ce manuel a été rassemblée et vérifiée avec le plus grand soin. Le fabricant, cependant, ne peut assumer aucune responsabilité dérivant de l'emploi de celle là. La même chose vaut pour chaque personne ou société impliquées dans la création et la production de ce manuel.
- Sectionner l'alimentation avant de procéder à toute opération.
- Ne pas utiliser de câbles usés ou endommagés.
- Ne procéder sous aucun prétexte à des modifications ou des connexions non prévues dans ce manuel. L'utilisation d'appareils non adéquats peut comporter des dangers graves pour la sécurité du personnel et de l'installation.
- Utiliser uniquement des pièces de rechange d'origine. Les pièces non d'origine peuvent être source d'incendies, de choc électrique ou autres.
- Avant de procéder à l'installation, contrôler que le matériel fourni correspond à la commande et examiner les étiquettes de marquage (4.2 Marquage du produit, page 5).
- Ce produit appartient à la Classe A. Dans un milieu résidentiel ce produit peut être la cause de radioperturbations. Dans ce cas il est préférable de prendre des mesures appropriées.

4 Identification

4.1 Description et désignation du produit

Le projecteur GEKO éclaire toute la scène de manière homogène, éliminant les tâches de lumière et les sous-expositions et obtenant ainsi d'excellentes images nocturnes et une surveillance sûre de la zone.

Le corps dissipateur à haut rendement garantit la durée maximale des LED et une protection contre les surchauffes des plus importantes, tandis que le verre frontal, en techno-polymère spécial, offre une élevée transmission infrarouge.

Les projecteurs GEKO sont protégés des décharges électrostatiques.

Les projecteurs peuvent être alimentés de 12Vdc à 24Vdc ou à 24Vac.

L'alimentateur dans un boîtier étanche, en version 230Vac ou 120Vac, est disponible comme accessoire pour un ou deux projecteurs GEKO.

GEKO est fourni avec un support pour le montage mural avec rotation horizontale et verticale et peut être monté sous caisson à l'aide du support OSUPPIR.

La garantie de GEKO projecteur infrarouge est de 5 ans, tandis que pour GEKO avec lumière blanche est de 2 ans.

4.2 Marquage du produit

Voir l'étiquette positionné sur le produit.

5 Préparation du produit en vue de l'utilisation



Toute modification non approuvée expressément par le fabricant entraînera l'annulation de la garantie.

5.1 Déballage et contenu

5.1.1 Déballage

Lors de la livraison du produit, vérifier que l'emballage est en bon état et l'absence de tout signe évident de chute ou d'abrasion.

En cas de dommages évidents, contacter immédiatement le fournisseur.

Conserver l'emballage en cas de nécessité d'expédition du produit pour réparation.

5.1.2 Contenu

Contrôler que le contenu correspond à la liste matériel indiquée ci-dessous:

- Projecteur avec étrier
- Etrier de fixation mural
- Manuel d'instructions

5.2 Élimination sans danger des matériaux d'emballage

Le matériel d'emballage est entièrement composé de matériaux recyclables. Le technicien chargé de l'installation est tenu de l'éliminer conformément aux dispositions en matière de collecte sélective et selon les normes en vigueur dans le pays d'utilisation.

En cas de retour du produit défectueux, il est conseillé d'utiliser l'emballage original pour le transport.

6 Assemblage et installation



Durant le fonctionnement normal, la surface du projecteur peut atteindre des températures élevées. Éviter le contact direct et positionner l'appareil dans un endroit non accessible au personnel non autorisé. Avant de la toucher, éteindre le dispositif d'illumination et le laisser refroidir durant 10 minutes minimum.



Ne pas regarder directement la lampe à une distance inférieure à 1.7m.



L'assemblage et l'installation doivent être effectués par un personnel qualifié.

6.1 Assemblage

Fixer l'étrier supérieur (01) et le projecteur avec les vis et les rondelles (02) fournies.

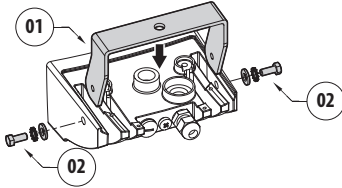


Fig. 3

6.2 Installation

6.2.1 Installation du projecteur sur le mur



On peut décider la position du projecteur lors de la phase d'installation.

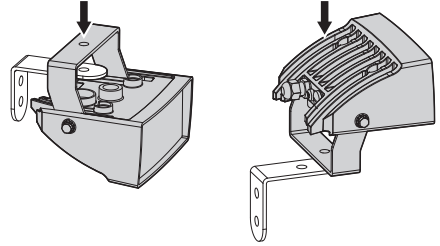


Fig. 4

Fixer l'étrier comme illustré sur la figure, en serrant à fonds les vis sur le mur.

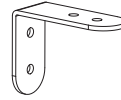


Fig. 5

Fixer le projecteur ainsi que l'étrier avec la vis, l'écrou et les rondelles fournis.

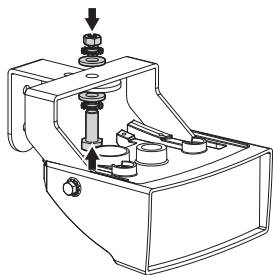


Fig. 6

Régler l'inclinaison verticale et horizontale du projecteur en agissant sur les vis de fixation correspondantes.

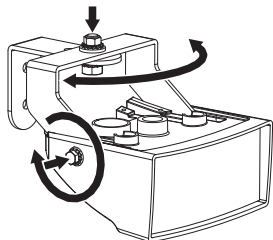


Fig. 7

Vérifier sur le moniteur le champ d'éclairage obtenu. Serrer à fond toutes les vis.

6.2.2 Installation du projecteur sur le caisson (kit OSUPPIR)

Fixer la plaque (01) entre le fond du caisson (02) et l'étrier (03) avec les vis fournies (04).

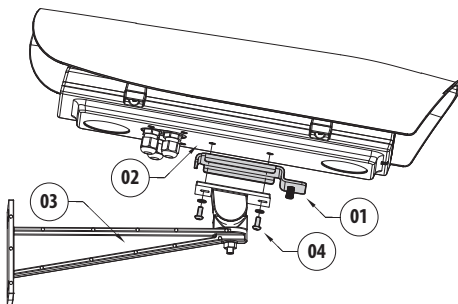


Fig. 8

Fixer le projecteur ainsi que l'étrier avec l'écrou et la rondelle.

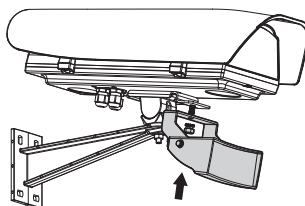


Fig. 9

Régler l'inclinaison verticale et horizontale (Fig. 7, page 7).

Vérifier sur le moniteur le champ d'éclairage obtenu. Serrer à fond toutes les vis.

6.2.3 Connexions

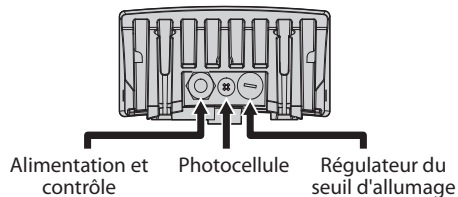


Fig. 10

6.2.4 Réglage du seuil d'intervention du capteur crépusculaire

Le projecteur a un capteur crépusculaire intégré qui permet un allumage et un arrêt automatique à conditions lumineuses préétablies.

Le réglage du capteur crépusculaire est effectué en usine à un niveau lumineux fixé et approprié à la plupart des installations (environ 50lx). Si l'on souhaite régler différemment le seuil d'intervention, dévisser le bouchon situé à l'arrière du projecteur et effectuer le réglage avec un tournevis.

En tournant le bouton de réglage dans le sens des aiguilles d'une montre, la commutation en mode nocturne est avancée (à une valeur de luminosité supérieure.) En tournant le bouton de réglage dans le sens inverse des aiguilles d'une montre, la commutation en mode nocturne est retardée (à une valeur de luminosité inférieure.)

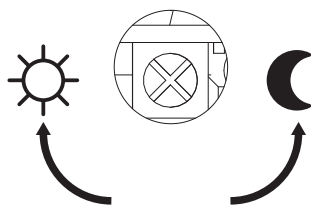


Fig. 11

Attendre les conditions de luminosité appropriées pour allumer le projecteur. Tourner lentement le trimmer jusqu'à ce que la LED présente sur le côté s'allume. Une fois que le seuil d'intervention (LED allumée) est dépassé, tourner légèrement dans le sens contraire.



Au terme des réglages, vérifier que le bouchon de fermeture soit bien serré pour garantir l'étanchéité hermétique du produit.



En cas d'allumage automatique du projecteur grâce à l'interrupteur crépusculaire incorporé, s'assurer de bien isoler les câbles relatifs au contrôle à distance (Téléométrie) présents sur le cordon d'alimentation (couleurs vert et rouge).

6.2.5 Désactivation du capteur crépusculaire

Pour désactiver l'allumage automatique du projecteur, configurer l'éclairage au minimum (régler le potentiomètre dans le sens antihoraire jusqu'à la butée). De cette façon, on pourra allumer le projecteur uniquement avec la fermeture du contact de téléométrie si l'on dispose d'une installation crépusculaire centralisée ou d'un contact activable à distance.

6.2.6 Câble d'alimentation et de contrôle

Le projecteur est équipé d'un cordon d'alimentation et de contrôle de 2m de long.

Câbles d'alimentation (blanc, noir): Le projecteur peut être alimenté aussi bien à 24Vac/Vdc qu'à 12Vdc. Fournir l'alimentation au couple de câbles blanc et noir (blanc, noir, la polarité a peu d'importance). Pour un fonctionnement correct selon le type d'alimentation et de modèle du projecteur choisi, consulter les tableaux (6.2.7 Spécifications techniques des câbles, page 9).



Pour éviter des mauvais fonctionnement au produit raccorder un maximum de 2 illuminateurs pour chaque alimentation.

Câbles de contrôle à distance (téléométrie),

couleurs vert et rouge: Le câble de contrôle (téléométrie) permet un allumage à distance du projecteur avec un contact sec appliqué entre les extrémités des câbles vert et rouge. Pour un fonctionnement correct, s'assurer d'avoir désactivé la photocellule (6.2.5 Désactivation du capteur crépusculaire, page 8). Fermé le contact pour allumer le projecteur. Ouvrir le contact pour l'éteindre.

6.2.7 Spécifications techniques des câbles

Selon le type de projecteur (modèle Low ou High power) et la tension d'alimentation, respecter les longueurs maximales suivantes pour les câbles d'alimentation (à brancher au couple de fils blanc et noir).

SPÉCIFICATIONS DES CÂBLES (12VDC)		
Section du câble	Longueur maximale	
	Projecteur version Low Power	Projecteur version High Power
0.5mm ² (20AWG)	10m	6m
0.75mm ² (18AWG)	16m	9m
1mm ² (17AWG)	22m	12m
1.5mm ² (16AWG)	32m	18m

Tab. 1

SPÉCIFICATIONS DES CÂBLES (24VAC/VDC)		
Section du câble	Longueur maximale	
	Projecteur version Low Power	Projecteur version High Power
0.34mm ² (22AWG)	25m	15m
0.5mm ² (20AWG)	40m	22m
0.75mm ² (18AWG)	60m	35m
1.5mm ² (16AWG)	120m	70m

Tab. 2

Pour le câble de télémétrie (couleurs vert et rouge), utiliser un conducteur de section minimum 0,34mm² (22AWG) et une longueur maximum de 200m.

7 Élimination des déchets



Ce symbole et le système de recyclage ne sont appliqués que dans les pays UE et non dans les autres pays du monde.

Votre produit est conçu et fabriqué avec des matériaux et des composants de qualité supérieure qui peuvent être recyclés et réutilisés.

Ce symbole signifie que les équipements électriques et électroniques en fin de vie doivent être éliminés séparément des ordures ménagères.

Nous vous prions donc de confier cet équipement à votre Centre local de collecte ou Recyclage.

Dans l'Union Européenne, il existe des systèmes sélectifs de collecte pour les produits électriques et électroniques usagés.

8 Dépannage

8.1 Contrôle de l'alimentation électrique

Contrôler que l'unité est branchée à une tension comprise entre 12-24Vdc ou à 24Vac +/- 10%.

8.2 Contrôle de fonctionnement du capteur crépusculaire

Vérifier le fonctionnement du capteur crépusculaire en l'obscurcissant avec du ruban noir.

Laissant ouvert le branchement de la télémétrie.

9 Données techniques

9.1 Généralités

Corps en fonte d'aluminium

Fourni avec le support à rotation horizontale et verticale en acier zingué et vernis

Longueurs d'onde: 850nm, 940nm, lumière blanche

9.2 Mécanique

Dimensions: 133x112x135mm

Poids net: 0,9kg

9.3 Électrique

Tension d'alimentation/Courant absorbé:

- De 12Vdc jusqu'à 24Vdc, 1A max (haute puissance, 4 LED) ou 0.5A max (basse puissance, 2 LED)
- 24Vac, 1A max (haute puissance, 4 LED) ou 0.5A max (basse puissance, 2 LED), 50/60Hz

LED SMD dans l'état actuel de la technique

Cellule de détection intégrée et réglable pour allumage et extinction automatique

Entrée pour allumage par contact sec externe

Fourni avec un câble multipolaire: 4x0.34mm² (22AWG), L=2m

9.4 Projecteurs

GEKO IRH - ANGLE DE DIFFUSION ET DISTANCES POUR UN SEUL PROJECTEUR

Angle de diffusion horizontal et vertical	Distance maximale			
	850nm, basse puissance	850nm, puissance élevée	940nm, puissance élevée	Lumière blanche, puissance élevée
10°	100m	140m	100m	-
30°	60m	84m	60m	60m ¹
60°	40m	56m	40m	40m ¹

Tab. 3 Les portées et les performances relatives dépendent du type de caméra / objectif utilisés et des conditions de lumière ambiantes.

¹ Portées obtenues avec caméra réglée en mode Jour (image couleur).

9.5 Environnement

Intérieur/Extérieur

Température de fonctionnement: De -40°C jusqu'à +60°C

9.6 Certifications

Sécurité électrique (CE): EN60950-1, EN60950-22

Compatibilité électromagnétique (CE): EN50130-4, EN55022 (Classe A), FCC Part 15 (Classe A)

Sécurité photobiologique (CE): EN62471

Degré de protection IP: EN60529, IP66

Degré de protection IK: EN62262 (IK10)

Certification UL: cULus Listed (TYPE 4X)

Certification EAC

10 Dessins techniques



Les dimensions des dessins sont exprimées en millimètres.

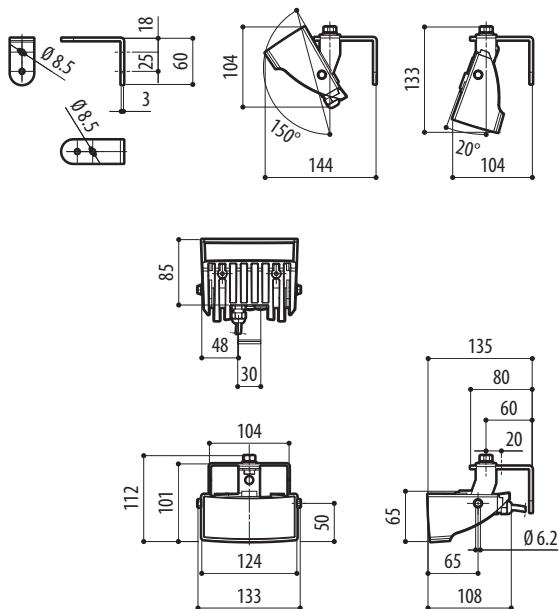


Fig. 12 GEKO IRH.

Headquarters Italy Videotec S.p.A.

Via Friuli, 6 - I-36015 Schio (VI) - Italy
Tel. +39 0445 697411 - Fax +39 0445 697414
Email: info@videotec.com

Asia Pacific Videotec (HK) Ltd

Flat 8, 19/F. On Dak Industrial Building, No. 2-6 Wah Sing Street
Kwai Chung, New Territories - Hong Kong
Tel. +852 2333 0601 - Fax +852 2311 0026
Email: info.hk@videotec.com

France Videotec France SARL

Immeuble Le Montreal, 19bis Avenue du Québec, ZA de Courtaboeuf
91140 Villebon sur Yvette - France
Tel. +33 1 60491816 - Fax +33 1 69284736
Email: info.fr@videotec.com

Americas Videotec Security, Inc.

Gateway Industrial Park, 35 Gateway Drive, Suite 100
Plattsburgh, NY 12901 - U.S.A.
Tel. +1 518 825 0020 - Fax +1 518 825 0022
Email: info.usa@videotec.com - www.videotec.com



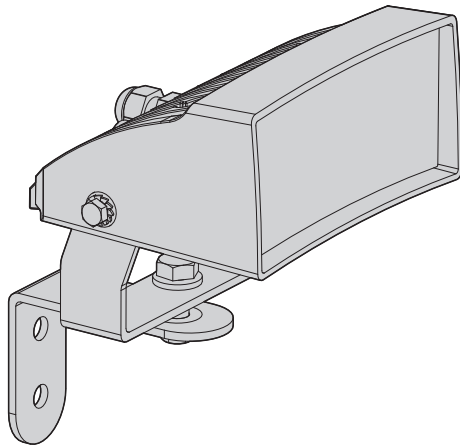
www.videotec.com

MNVCI RHS_1634_FR



GEKO IRH

LED- Scheinwerfer




Inhaltsverzeichnis


1 Allgemeines	3
1.1 Schreibweisen.....	3
2 Anmerkungen zum Copyright und Informationen zu den Handelsmarken.....	3
3 Sicherheitsnormen	3
4 Identifizierung	5
4.1 Beschreibung und Bezeichnung des Produktes.....	5
4.2 Kennzeichnung des Produkts.....	5
5 Vorbereitung des Produktes auf den Gebrauch.....	5
5.1 Entfernen der Verpackung und Inhalt.....	5
5.1.1 Entfernen der Verpackung	5
5.1.2 Inhalt	5
5.2 Sichere Entsorgung der Verpackungsmaterialien	5
6 Zusammenbau und Installation	6
6.1 Zusammenbau.....	6
6.2 Installation.....	6
6.2.1 Wandmontage des Scheinwerfers.....	6
6.2.2 Installation des Scheinwerfers am Gehäuse (Bausatz OSUPPIR).....	7
6.2.3 Verbindungen.....	7
6.2.4 Einstellen der Schwelle für die Auslösung des Dämmerungssensors.....	8
6.2.5 Deaktivierung des Dämmerungssensors.....	8
6.2.6 Versorgungs- und Steuerkabel.....	8
6.2.7 Technische Spezifikationen der Kabel	9
7 Müllentsorgungsstellen	9
8 Problemlösung	9
8.1 Kontrolle der Stromversorgung.....	9
8.2 Prüfung der Funktionstüchtigkeit des Dämmerungssensors.....	9
9 Technische Daten	10
9.1 Allgemeines.....	10
9.2 Mechanik	10
9.3 Elektrik	10
9.4 Scheinwerfer.....	10
9.5 Umgebung.....	10
9.6 Zertifizierungen.....	10
10 Technische Zeichnungen.....	11


1 Allgemeines


Vor Installation und Anwendung der Einheit ist die gesamte gelieferte Dokumentation aufmerksam zu lesen. Zum späteren Nachschlagen das Handbuch in Reichweite aufbewahren.


1.1 Schreibweisen

 **GEFAHR!**
Emission von sichtbarem oder infrarotem Licht.
Kann zu Verletzungen an den Augen führen. Die mitgelieferten Informationen beachten.

 **GEFAHR!**
Erhöhte Gefährdung.
Stromschlaggefahr. Falls nichts anderes angegeben, unterbrechen Sie die Stromversorgung, bevor die beschriebenen Arbeiten durchgeführt werden.

 **GEFAHR!**
Heiße Oberfläche.
Nicht berühren. Die Oberflächen sind heiß und können bei Berührung zu Verbrennungen führen.


 **ACHTUNG!**
Mittlere Gefährdung.
Der genannte Vorgang hat große Bedeutung für den einwandfreien Betrieb des Systems. Es wird gebeten, sich die Verfahrensweise durchzulesen und zu befolgen.


 **ANMERKUNG**
Beschreibung der Systemmerkmale.
Eine sorgfältige Lektüre wird empfohlen, um das Verständnis der folgenden Phasen zu gewährleisten.

2 Anmerkungen zum Copyright und Informationen zu den Handelsmarken

Die angeführten Produkt- oder Firmennamen sind Handelsmarken oder eingetragene Handelsmarken.

3 Sicherheitsnormen

 **Die Lampe nicht anfassen, wenn sie in Betrieb ist. Kann zu Verletzungen an den Augen führen.**

 **Der Infrarotlicht-LED-Scheinwerfer emittiert sichtbares Licht mit hoher Intensität. Aufgrund der Bewertung der photobiologischen Sicherheit, in Übereinstimmung mit der Norm EN62471/IEC62471, wurde das Gerät in der Risikogruppe 1 eingestuft, wo die Werte der Freien Gruppe überschritten werden. Das mit dem Beobachter verbundene Risiko hängt davon ab, wie die Benutzer das Produkt installieren und verwenden. Für die Installation die in diesem Handbuch enthaltenen Anweisungen befolgen. Der Scheinwerfer darf auf keinen Fall geöffnet werden. Nicht direkt in den Scheinwerfer sehen, wenn optische Instrumente verwendet werden. Gefährliche Expositionswerte (EHV): 170.2s (für IRH10H8A, IRH10L8A, IRH30H8A, IRH30L8A, IRH60H8A, IRH60L8A), 153.2s (für IRH10H9A IRH30H9A IRH60H9A). Sicherheitsabstände (HD): 200mm.**

RISK GROUP 1	GROUPE DE RISQUE 1
CAUTION: IR emitted from this product. Use appropriate shielding or eye protection.	ATTENTION: IR sont émis par ce produit. Utiliser un blindage approprié ou une protection oculaire.

Abb. 1 Infrarot- Scheinwerfer.



ACHTUNG! Der Weißlicht-LED-Scheinwerfer emittiert sichtbares Licht mit hoher Intensität. Aufgrund der Bewertung der photobiologischen Sicherheit, in Übereinstimmung mit der Norm EN62471/IEC62471, wurde das Gerät in der Risikogruppe 2 eingestuft, wo die Werte der Freien Gruppe überschritten werden. Das mit dem Beobachter verbundene Risiko hängt davon ab, wie die Benutzer das Produkt installieren und verwenden. Für die Installation die in diesem Handbuch enthaltenen Anweisungen befolgen. Der Scheinwerfer darf auf keinen Fall geöffnet werden. Nicht direkt in den Scheinwerfer sehen, wenn optische Instrumente verwendet werden. Gefährliche Expositionswerte (EHV): 24.3s. Sicherheitsabstände (HD): 200mm.

RISK GROUP 2	GRUPE DE RISQUE 2
<p>CAUTION: Possibly hazardous optical radiation emitted from this product. Do not stare at operating lamp. May be harmful to the eye.</p>	<p>ATTENTION: Des rayonnements optiques dangereux peuvent être émis par ce produit. Ne pas regarder la lampe directement. Peut être dangereux pour les yeux.</p>

Abb. 2 Weißlicht- Scheinwerfer.



Im normalen Betrieb kann der Scheinwerfer an der Oberfläche Hohe Temperaturen erreichen. Vermeiden Sie die direkte Berührung und positionieren Sie das Gerät an einem Ort, der für Unbefugte unzugänglich ist. Bevor man sie berührt, muss deshalb die Ausleuchtungseinrichtung abgeschaltet werden und mindestens 10 Minuten lang abkühlen.



ACHTUNG! Die Installation und Wartung der Vorrichtung ist technischen Fachleuten vorbehalten.

- Der Hersteller lehnt jede Haftung für eventuelle Schäden ab, die aufgrund unsachgemäßer Anwendung der in diesem Handbuch erwähnten Geräte entstanden ist. Ferner behält er sich das Recht vor, den Inhalt ohne Vorkündigung abzuändern. Die Dokumentation in diesem Handbuch wurde sorgfältig ausgeführt und überprüft. Der Hersteller kann dennoch keine Haftung für die Verwendung übernehmen. Dasselbe gilt für jede Person oder Gesellschaft, die bei der Schaffung oder Produktion von diesem Handbuch miteinbezogen ist.
- Unterbrechen Sie die Stromversorgung, bevor die beschriebenen Arbeiten durchgeführt werden.
- Es dürfen keine Kabel mit Verschleiß- oder Alterungsspuren verwendet werden.
- Unter keinen Umständen dürfen Veränderungen oder Anschlüsse vorgenommen werden, die in diesem Handbuch nicht genannt sind. Der Gebrauch ungeeigneten Geräts kann die Sicherheit des Personals und der Anlage schwer gefährden.
- Es dürfen nur Original-Ersatzteile verwendet werden. Nicht originale Ersatzteile können zu Bränden, elektrischen Entladungen oder anderen Gefahren führen.
- Vor der Installation ist anhand des Kennzeichnungsschildes nachzuprüfen, ob das gelieferte Material die gewünschten Eigenschaften (4.2 Kennzeichnung des Produkts, Seite 5).
- Dies ist ein Produkt der Klasse A. Dieses Produkt kann im Wohnbereich Funkstörungen verursachen. In diesem Fall kann vom Betreiber verlangt werden, angemessene Maßnahmen durchzuführen.

4 Identifizierung

4.1 Beschreibung und Bezeichnung des Produktes

Die vom Scheinwerfer GEKO erzeugte Beleuchtung erhellt gleichmäßig das gesamte Sichtfeld und beseitigt Lichtflecken und Unterbelichtungen für unübertreffliche Nachtbilder und eine sichere Überwachung des Bereichs.

Der Hochleistungskühlkörper garantiert die maximale Lebensdauer der LEDs und Schutz gegen Übertemperaturen, während das Frontglas aus Spezialkunststoff eine hohe infrarote Durchlässigkeit bietet.

Die GEKO Scheinwerfer sind zudem gegen elektrostatische Entladungen geschützt.

Die Scheinwerfer können von 12Vdc bis 24Vdc oder mit 24Vac gespeist werden.

Das Netzteil in dichtem Gehäuse in der Version 230Vac oder 120Vac ist als Zubehör für einen oder zwei GEKO Scheinwerfer erhältlich.

GEKO wird mit der Halterung für die Wandmontage geliefert, die sich waagrecht und senkrecht drehen lässt, und durch die Halterung OSUPPIR unter dem Gehäuse montiert werden kann.

Die Gewährleistung von GEKO Infrarotscheinwerfer ist 5 Jahre, während für GEKO mit dem weißen Licht ist 2 Jahre.

4.2 Kennzeichnung des Produkts

Siehe das Label auf dem Produkt.

5 Vorbereitung des Produktes auf den Gebrauch



Jede vom Hersteller nicht ausdrücklich genehmigte Veränderung führt zum Verfall der Gewährleistungsrechte.

5.1 Entfernen der Verpackung und Inhalt

5.1.1 Entfernen der Verpackung

Bei der Lieferung des Produktes ist zu prüfen, ob die Verpackung intakt ist oder offensichtliche Anzeichen von Stürzen oder Abrieb aufweist.

Bei offensichtlichen Schadensspuren an der Verpackung muss umgehend der Lieferant verständigt werden.

Bewahren Sie die Verpackung auf für den Fall, dass das Produkt zur Reparatur eingeschendet werden muss.

5.1.2 Inhalt

Prüfen Sie, ob der Inhalt mit der nachstehenden Materialliste übereinstimmt:

- Scheinwerfer mit Bügel
- Bügel für Wandmontage
- Bedienungsanleitung

5.2 Sichere Entsorgung der Verpackungsmaterialien

Die Verpackungsmaterialien sind vollständig wiederverwertbar. Es ist Sache des Installationstechnikers, sie getrennt, auf jeden Fall aber nach den geltenden Vorschriften des Anwendungslandes zu entsorgen.

Im Falle der Rückgabe des nicht korrekt funktionierenden Produktes empfiehlt sich die Verwendung der Originalverpackung für den Transport.

6 Zusammenbau und Installation



Im normalen Betrieb kann der Scheinwerfer an der Oberfläche Hohe Temperaturen erreichen. Vermeiden Sie die direkte Berührung und positionieren Sie das Gerät an einem Ort, der für Unbefugte unzugänglich ist. Bevor man sie berührt, muss deshalb die Ausleuchtungseinrichtung abgeschaltet werden und mindestens 10 Minuten lang abkühlen.



Sehen Sie aus weniger als 1.7m Entfernung nicht direkt in die Lampe.



Zusammenbau und Installation sind qualifizierten Fachleuten vorbehalten.

6.1 Zusammenbau

Den oberen Bügel (01) mithilfe der mitgeliefert Schrauben und Unterlegscheiben (02) am Scheinwerfer befestigen.

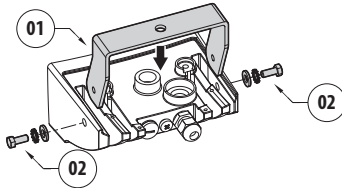


Abb. 3

6.2 Installation

6.2.1 Wandmontage des Scheinwerfers



Während der Installation kann die Position des Scheinwerfers gewählt werden.

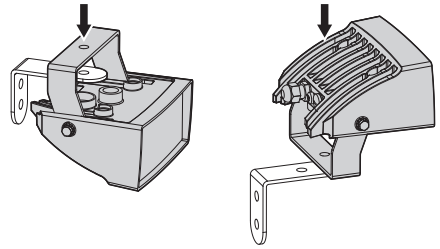


Abb. 4

Den Bügel wie in der Abbildung befestigen und die Schrauben an der Wand festziehen.

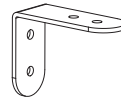


Abb. 5

Den mit Bügel versehenen Scheinwerfer mithilfe der in der Lieferung enthaltenen Schraube, Mutter und Unterlegscheiben befestigen.

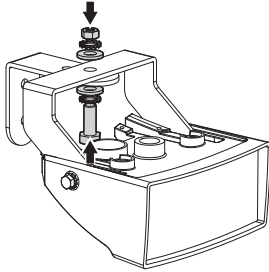


Abb. 6

Die vertikale und horizontale Neigung des Scheinwerfers wird eingestellt, indem die entsprechenden Befestigungsschrauben gedreht werden.

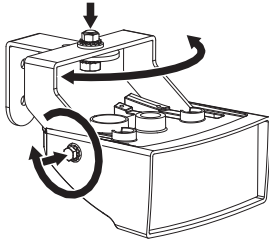


Abb. 7

Mit dem Überwachungsgerät den hierdurch ausgeleuchteten Bereich prüfen. Alle Schrauben festziehen.

6.2.2 Installation des Scheinwerfers am Gehäuse (Bausatz OSUPPIR)

Die Platte (01) zwischen Gehäuse (02) und Bügel (03) mithilfe der mitgelieferten Schrauben (04) befestigen.

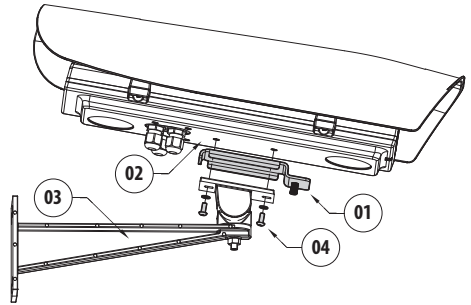


Abb. 8

Den mit Bügel versehenen Scheinwerfer mithilfe von Mutter und Unterlegscheibe befestigen.

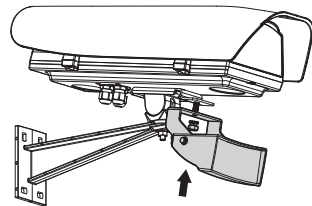


Abb. 9

Die vertikale und horizontale Neigung einstellen (Abb. 7, Seite 7).

Mit dem Überwachungsgerät den hierdurch ausgeleuchteten Bereich prüfen. Alle Schrauben festziehen.

6.2.3 Verbindungen

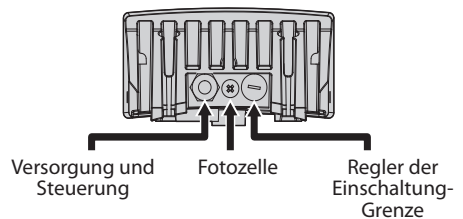


Abb. 10

6.2.4 Einstellen der Schwelle für die Auslösung des Dämmerungssensors

Der Scheinwerfer besitzt einen integrierten Dämmerungssensor, der eine automatische Ein- und Ausschaltung unter vorher festgelegten Lichtverhältnissen ermöglicht.

Der Dämmerungssensor wird werkseitig auf eine festgelegte Lichtstärke eingestellt, welche für den Großteil der Installationen geeignet ist (etwa 50lx). Zum Ändern der Einsatzgrenze den an der Rückseite des Scheinwerfers angebrachte Deckel entfernen und die Einstellung vornehmen mittels Schraubenzieher.

Durch Drehen des Trimmers im Uhrzeigersinn im Nachtmodus, wird die Umschaltung vorgezogen (auf einen höheren Helligkeitswert). Durch Drehen des Trimmers gegen den Uhrzeigersinn wird die Umschaltung im Nachtmodus verzögert (auf einen niedrigeren Helligkeitswert).

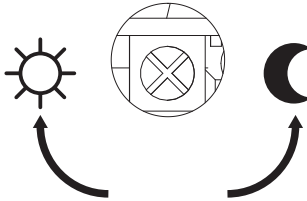


Abb. 11

Die geeigneten Lichtverhältnisse für das Einschalten des Scheinwerfers abwarten. Den Trimmer langsam drehen, bis sich die LED an der Trimmerseite einschaltet. Nachdem die Eingriffsschwelle überschritten wurde (LED eingeschaltet), etwas in die entgegengesetzte Richtung drehen.



Nach den Einstellungen prüfen, dass der Verschlussdeckel angemessen angezogen ist, um die hermetische Dichtheit des Produkts zu garantieren.



Bei einer automatischen Einschaltung des Scheinwerfers über einen eingebauten Dämmerungsschalter, ist sicherzustellen, dass die Kabel der Fernsteuerung (Telemetrie) im Versorgungskabel (Farbe grün und rot) angemessen isoliert sind.

6.2.5 Deaktivierung des Dämmerungssensors

Zur Deaktivierung der automatischen Einschaltung des Scheinwerfers Helligkeit auf das Minimum einstellen (Potenziometer entgegen Uhrzeigersinn bis zum Anschlag drehen). Auf dieser Weise kann der Scheinwerfer nur durch Schließen des Kontakts der Telemetrie eingeschaltet werden, sollte eine zentral geschaltete Dämmerungsanlage oder ein fernzuschaltender Kontakt vorhanden sein.

6.2.6 Versorgungs- und Steuerkabel

Der Scheinwerfer verfügt über ein Versorgungs- und Steuerkabel mit einer Länge von 2m.

Stromversorgungskabel (weiße, schwarz): Der Scheinwerfer kann wohl mit 24Vac/Vdc als auch mit 12Vdc versorgt werden. Dem Kabel Strom zuführen (weiße, schwarz, Polarität ist unerheblich). Für einen einwandfreien Betrieb entsprechend des Versorgungstyps und des gewählten Scheinwerfermodells siehe Tabellen (6.2.7 Technische Spezifikationen der Kabel, Seite 9).



Um den Produktausfall zu vermeiden, höchstens 2 Scheinwerfer für jedes Netzteil verbinden.

Kabel der Fernsteuerung (Telemetrie), Farbe grün und rot: Das Steuerkabel (Telemetrie) erlaubt das Einschalten des Scheinwerfers aus der Ferne über einen potenzialfreien Kontakt, der zwischen den Enden des grünen und roten Kabels angebracht wird. Für einen einwandfreien Betrieb sicherstellen, dass die Fotozelle deaktiviert wurde (6.2.5 Deaktivierung des Dämmerungssensors, Seite 8). Zum Einschalten des Scheinwerfers Kontakt schließen. Zum Ausschalten Kontakt öffnen.

6.2.7 Technische Spezifikationen der Kabel

Je nach Scheinwerttyp (Modell Low oder High Power) und Versorgungsspannung, sich an folgende Maximalängen für die Versorgungskabel (Anschluss an das weiße und schwarze Kabel) halten.

EIGENSCHAFTEN DER KABEL (12VDC)		
Kabelquerschnitt	Höchstlänge erforderlich	
	Scheinwerfer Ausführung Low Power	Scheinwerfer Ausführung High Power
0.5mm ² (20AWG)	10m	6m
0.75mm ² (18AWG)	16m	9m
1mm ² (17AWG)	22m	12m
1.5mm ² (16AWG)	32m	18m

Tab. 1

EIGENSCHAFTEN DER KABEL (24VAC/VDC)		
Kabelquerschnitt	Höchstlänge erforderlich	
	Scheinwerfer Ausführung Low Power	Scheinwerfer Ausführung High Power
0.34mm ² (22AWG)	25m	15m
0.5mm ² (20AWG)	40m	22m
0.75mm ² (18AWG)	60m	35m
1.5mm ² (16AWG)	120m	70m

Tab. 2

Als Kabel der Telemetrie (Farbe grün und rot) muss ein Leiter mit einem Mindestquerschnitt von 0,34mm² (22AWG) und einer Länge von maximal 200m verwendet werden.

7 Müllentsorgungsstellen



Dieses Symbol und das entsprechende Recycling-System gelten nur für EULänder und finden in den anderen Ländern der Welt keine Anwendung.

Ihr Produkt wurde entworfen und hergestellt aus qualitativ hochwertigen Materialien und Komponenten, die recycelt und wiederverwendet werden können.

Dieses Symbol bedeutet, daß elektrische und elektronische Geräte am Ende ihrer Nutzungsdauer von Hausmüll getrennt entsorgt werden sollen.

Bitte entsorgen Sie dieses Gerät bei Ihrer örtlichen Sammelstelle oder im Recycling Centre.

In der Europäischen Union gibt es unterschiedliche Sammelsysteme für Elektrik- und Elektronikgeräte.

8 Problemlösung

8.1 Kontrolle der Stromversorgung

Prüfen Sie, ob die Einheit an eine Spannung zwischen 12-24Vdc oder 24Vac +/- 10% angeschlossen ist.

8.2 Prüfung der Funktionstüchtigkeit des Dämmerungssensors

Die Funktionstüchtigkeit des Dämmerungssensors überprüfen, dazu wird er mit schwarzem Band verdunkelt.

Die Funktionen der Fozelle prüfen, indem diese mit einem schwarzen Band verdeckt wird und die Telemetrieverbindung offen bleibt.

9 Technische Daten

9.1 Allgemeines

Korpus aus Aluminiumdruckguß

Komplett mit stahlverzinkten und lackierten Halterungen für eine waagerechte und senkrechte Drehung geliefert.

Wellenlänge: 850nm, 940nm, Weißlicht

9.2 Mechanik

Abmessungen: 133x112x135mm

Einheitsgewicht: 0,9 kg

9.3 Elektrik

Versorgungsspannung/Stromaufnahme:

- Von 12Vdc bis zu 24Vdc, 1A max (High Power, 4 LED) oder 0.5A max (Low Power, 2 LED)
- 24Vac, 1A max (High Power, 4 LED) oder 0.5A max (Low Power, 2 LED), 50/60Hz

SMD-LEDs nach neuestem Stand der Technik

Einstellbare integrierte Fotozelle für eine automatische Ein- und Ausschaltung

Eingang für die Einschaltung über einen externen Trockenkontakt

Geliefert mit mehrpoligem Kabel: 4x0.34mm² (22AWG), L=2m

9.4 Scheinwerfer

GEKO IRH - STREUWINKEL UND ABSTÄNDE EINZELNER SCHEINWERFER

Streuwinkel horizontal und vertikal	Höchstentfernung			
	850nm, niedrige Leistung	850nm, hohe Leistung	940nm, hohe Leistung	Weißlicht, hohe Leistung
10°	100m	140m	100m	–
30°	60m	84m	60m	60m ¹
60°	40m	56m	40m	40m ¹

Tab. 3 Die Reichweiten und die Leistung hängen von der verwendeten Art der Kamera / Objektiv und den Umgebungslichtbedingungen ab.

¹ Reichweiten erhalten mit Kamera in Tag-Modus (Farbbild).

9.5 Umgebung

Innen/Außen

Betriebstemperatur: Von -40°C bis zu +60°C

9.6 Zertifizierungen

Elektrische Sicherheit (CE): EN60950-1, EN60950-22

Elektromagnetische Verträglichkeit (CE): EN50130-4, EN55022 (Klasse A), FCC Part 15 (Klasse A)

Fotobiologische Sicherheit (CE): EN62471

Schutzart IP: EN60529, IP66

Schutzart IK: EN62262 (IK10)

UL- Zertifizierung: cULus Listed (TYPE 4X)

EAC-Zertifizierung

10 Technische Zeichnungen



Die Abmessungen der Zeichnungen sind in Millimeter angegeben.

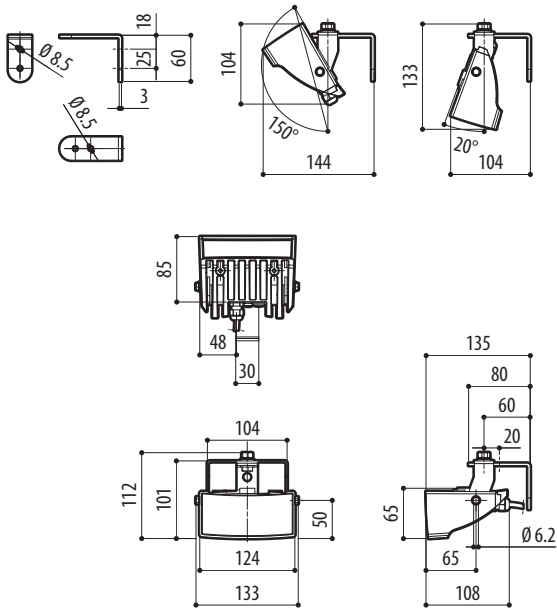


Abb. 12 GEKO IRH.

Headquarters Italy Videotec S.p.A.

Via Friuli, 6 - I-36015 Schio (VI) - Italy
Tel. +39 0445 697411 - Fax +39 0445 697414
Email: info@videotec.com

Asia Pacific Videotec (HK) Ltd

Flat 8, 19/F. On Dak Industrial Building, No. 2-6 Wah Sing Street
Kwai Chung, New Territories - Hong Kong
Tel. +852 2333 0601 - Fax +852 2311 0026
Email: info.hk@videotec.com

France Videotec France SARL

Immeuble Le Montreal, 19bis Avenue du Québec, ZA de Courtaboeuf
91140 Villebon sur Yvette - France
Tel. +33 1 60491816 - Fax +33 1 69284736
Email: info.fr@videotec.com

Americas Videotec Security, Inc.

Gateway Industrial Park, 35 Gateway Drive, Suite 100
Plattsburgh, NY 12901 - U.S.A.
Tel. +1 518 825 0020 - Fax +1 518 825 0022
Email: info.usa@videotec.com - www.videotec.com



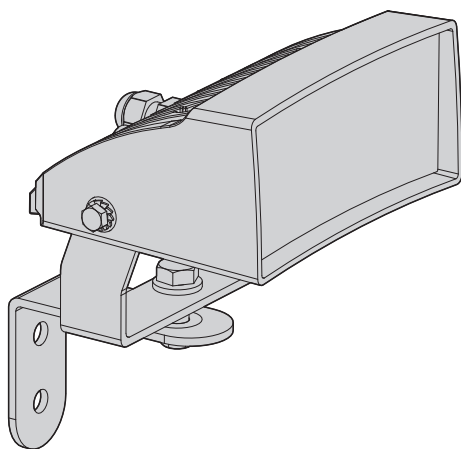
www.videotec.com

MNVCI RHS_1634_DE



GEKO IRH

Светодиодный осветитель




Содержание


1 О настоящем руководстве.....	3
1.1 Типографские условные обозначения.....	3
2 Примечания в отношении авторского права и информация о торговых марках	3
3 Правила техники безопасности	3
4 Обозначение.....	5
4.1 Описание и обозначение типа устройства	5
4.2 Маркировка изделия	5
5 Подготовка устройства к использованию.....	5
5.1 Распаковка и содержание.....	5
5.1.1 Распаковка	5
5.1.2 Комплект оборудования	5
5.2 Безопасная утилизация упаковочных материалов.....	5
6 Сборка и установка.....	6
6.1 Монтаж	6
6.2 Монтаж	6
6.2.1 Установка настенного осветителя	6
6.2.2 Установка осветителя на футляре (комплект OSUPPIR)	7
6.2.3 Подключения.....	7
6.2.4 Регулировка порога срабатывания сумеречного датчика.....	8
6.2.5 Деактивирование сумеречного датчика	8
6.2.6 Кабель питания и управления	8
6.2.7 Технические спецификации кабелей.....	9
7 Утилизация отходов	9
8 Устранение неисправностей	9
8.1 Контроль электрического питания	9
8.2 Проверка функционирования сумеречного датчика.....	9
9 Технические характеристики	10
9.1 Общие характеристики.....	10
9.2 Технические характеристики.....	10
9.3 Электрические характеристики.....	10
9.4 Осветители.....	10
9.5 Окружающая среда.....	10
9.6 Сертификаты	10
10 Технические чертежи	11


1 О настоящем руководстве


Перед установкой и использованием этого оборудования внимательно прочтите всю предоставленную документацию. Всегда держите руководство под рукой, чтобы им можно было воспользоваться в будущем.


1.1 Типографские условные обозначения

 **ОПАСНОСТЬ!**
Испускание видимого света или инфракрасного излучения. Может быть вредно для глаз. Обратите внимание на данные указания.

 **ОПАСНОСТЬ!**
Высокий уровень опасности. Риск поражения электрическим током. При отсутствии иных указаний отключите питание, перед тем как приступить к выполнению любой операции.

 **ОПАСНОСТЬ!**
Горячая поверхность. Следует избегать контакта. Горячие поверхности могут обжечь в случае контакта.

 **ПРЕДУПРЕЖДЕНИЕ!**
Средний уровень опасности. Данная операция очень важна для правильной работы системы. Внимательно ознакомьтесь с описанием порядка выполнения процедуры и выполните ее согласно указаниям.


 **ИНФОРМАЦИЯ**
Описание характеристик системы. Рекомендуем внимательно ознакомиться с содержанием этого раздела, для того чтобы понять следующие этапы.

2 Примечания в отношении авторского права и информация о торговых марках

Упомянутые названия устройств или компаний являются торговыми марками или зарегистрированными торговыми знаками.

3 Правила техники безопасности

 **Не фиксировать функционирующую лампу. Может быть вредно для глаз.**

 **Светодиодный (LED) осветитель инфракрасного излучения испускает видимый свет высокой интенсивности. В соответствии с оценкой фотобиологической безопасности в рамках стандарта EN62471/IEC62471 устройство отнесено к группе риска 1, которая предусматривает более высокие значения, чем группа с нулевым риском. Степень риска для людей зависит от того, как была проведена установка и как осуществляется эксплуатация устройства. Для установки следуйте инструкциям данного руководства. Никогда не открывайте осветитель. Не смотрите прямо на осветитель с оптическими объективами. Значение опасного воздействия: 170.2с (для IRH10H8A, IRH10L8A, IRH30H8A, IRH30L8A, IRH60H8A, IRH60L8A), 153.2с (для IRH10H9A IRH30H9A IRH60H9A). Безопасное расстояние: 200mm.**

RISK GROUP 1	GROUPE DE RISQUE 1
CAUTION: IR emitted from this product. Use appropriate shielding or eye protection.	ATTENTION: IR sont émis par ce produit. Utiliser un blindage approprié ou une protection oculaire.

Рис. 1 Инфракрасный осветитель.



ПРЕДУПРЕЖДЕНИЕ! Светодиодный осветитель белого света испускает видимый свет высокой интенсивности. В соответствии с оценкой фотобиологической безопасности в рамках стандарта EN62471/IEC62471 устройство отнесено к группе риска 2, которая предусматривает более высокие значения, чем группа с нулевым риском. Степень риска для людей зависит от того, как была проведена установка и как осуществляется эксплуатация устройства. Для установки следуйте инструкциям данного руководства. **Никогда не открывайте осветитель. Не смотрите прямо на осветитель с оптическими объективами. Значение опасного воздействия: 24.3с. Безопасное расстояние: 200mm.**

RISK GROUP 2	GROUPE DE RISQUE 2
<p>CAUTION: Possibly hazardous optical radiation emitted from this product. Do not stare at operating lamp. May be harmful to the eye.</p>	<p>ATTENTION: Des rayonnements optiques dangereux peuvent être émis par ce produit. Ne pas regarder la lampe directement. Peut être dangereux pour les yeux.</p>

Рис. 2 Осветитель с белым светом.



Во время работы в нормальном режиме поверхность осветителя может нагреваться до высоких температур. Избегайте прямого контакта и установите устройство в месте, недоступном для посторонних лиц. До осветителя можно дотрагиваться только после того, как он будет выключен и оставлен остывать в течение как минимум 10 минут.



ПРЕДУПРЕЖДЕНИЕ! Установка и обслуживание устройства должны осуществляться только специализированным персоналом.

- Производитель не несет ответственности за любые повреждения, возникающие в результате неправильного использования указанного в настоящем руководстве оборудования. Помимо этого, производитель сохраняет за собой право изменять содержание руководства без предварительного уведомления. Представленная в настоящем руководстве документация была подготовлена с большим вниманием. Однако производитель не несет ответственности за ее использование. Аналогичные условия предусмотрены в отношении любого лица или компании, привлеченных для составления и создания данного руководства.
- Перед выполнением любой операции проверьте, отключен ли источник питания.
- Не используйте кабели, которые кажутся изношенными или старыми.
- Никогда и ни при каких обстоятельствах не выполняйте изменений или подключений, не описанных в настоящем руководстве. Ненадлежащее использование оборудования может привести к возникновению серьезных опасных ситуаций, угрожающих безопасности персонала и системы.
- Используйте только оригинальные запасные части. Неоригинальные запасные части могут привести к возникновению пожара, электрического разряда или другой опасной ситуации.
- Перед монтажом проверьте соответствие поставленных материалов спецификациям заказа, сверив идентификационные ярлыки (4.2 Маркировка изделия, страница 5).
- Это устройство Класса А. В жилых помещениях данное устройство может вызывать радиопомехи. В таком случае пользователю может потребоваться предпринять соответствующие меры.

4 Обозначение

4.1 Описание и обозначение типа устройства

GEKO равномерно освещает всю наблюдаемую область, предотвращая появление бликов и недостаточную выдержку, и обеспечивает непревзойденное качество съемки в ночное время и надежное наблюдение в соответствующей зоне.

Высокоэффективный жаростойкий корпус гарантирует максимальный срок работы светодиодов и защиту от перегрева, в то время как переднее стекло из специального технополимера обеспечивает высокий коэффициент пропускания инфракрасных лучей.

Осветители GEKO защищены от электростатических разрядов.

Осветители могут получать питание от 12Vdc до 24Vdc или 24Vac.

Источник питания с водонепроницаемым корпусом мощностью 230Vac или 120Vac предоставляется в качестве дополнительного оборудования для одного или двух осветителей GEKO.

GEKO поставляется с настенным кронштейном, который вращается по горизонтали и по вертикали, и может устанавливаться под кожухом с помощью кронштейна OSUPPIR.

Гарантия на инфракрасный осветитель GEKO действует в течение 5 лет, в то время как для осветителя GEKO с белым светом - 2 года.

4.2 Маркировка изделия

См. ярлык на продукт.

5 Подготовка устройства к использованию



Любое изменение, которое выполняется без разрешения, явным образом предоставленного производителем, аннулирует гарантию.

5.1 Распаковка и содержание

5.1.1 Распаковка

При доставке устройства убедитесь, что упаковка не повреждена и не имеет явных признаков падения или царапин.

В случае наличия видимых повреждений незамедлительно свяжитесь с поставщиком.

Сохраняйте упаковку на случай, если потребуется отправить устройство на ремонт.

5.1.2 Комплект оборудования

Проверьте комплект оборудования на соответствие представленному ниже списку материалов:

- Осветитель со скобой
- Скоба крепления на стену
- Руководство по эксплуатации

5.2 Безопасная утилизация упаковочных материалов

Упаковочные материалы могут подвергаться переработке. Технический специалист установщика отвечает за сортировку материалов для переработки, а также за соблюдение требований законодательства, действующего в месте установки устройства.

В случае возврата неисправного устройства мы рекомендуем использовать оригинальную упаковку для транспортировки.

6 Сборка и установка



Во время работы в нормальном режиме поверхность осветителя может нагреваться до высоких температур. Избегайте прямого контакта и установите устройство в месте, недоступном для посторонних лиц. До осветителя можно дотрагиваться только после того, как он будет выключен и оставлен остывать в течение как минимум 10 минут.



Не смотрите прямо на лампу, если находитесь от нее на расстоянии менее 1,7м.



Монтаж и установка оборудования должны выполняться только квалифицированным для этого персоналом.

6.1 Монтаж

Прикрепите верхнюю скобу (01) к осветителю (02) с помощью прилагающихся шайб (02).

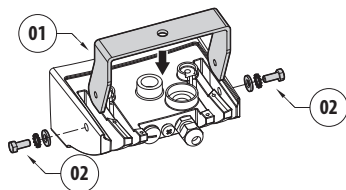


Рис. 3

6.2 Монтаж

6.2.1 Установка настенного осветителя



В фазу установки можно выбрать положение осветителя.

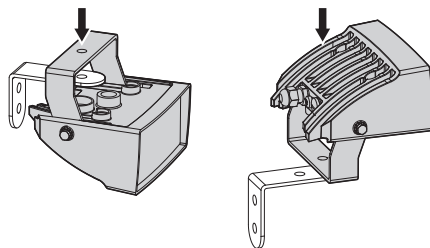


Рис. 4

Прикрепите скобу как показано на рисунке, затянув до упора настенные винты.

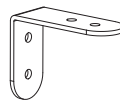


Рис. 5

Прикрепите осветитель, оснащенный скобой, с помощью прилагающихся винта, гайки и шайбы.

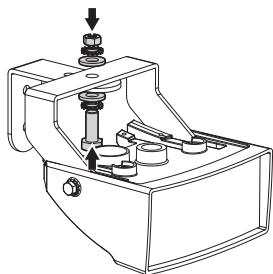


Рис. 6

Отрегулируйте вертикальный и горизонтальный наклон осветителя с помощью соответствующих крепежных винтов.

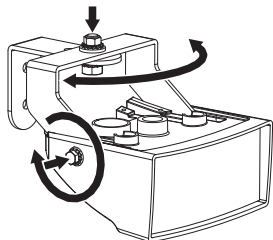


Рис. 7

Проверьте на мониторе полученное поле освещения. Затяните до упора все винты.

6.2.2 Установка осветителя на футляра (комплект OSUPPIR)

Прикрепите пластину (01) между дном футляра (02) и скобой (03) с помощью прилагающихся винтов (04).

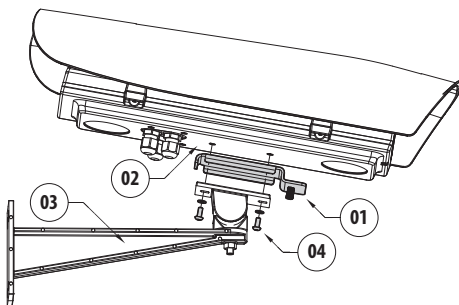


Рис. 8

Прикрепите осветитель, оснащенный скобой, с помощью гайки и шайбы.

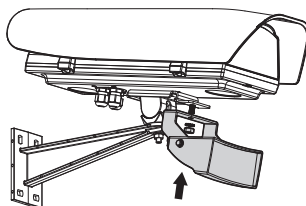


Рис. 9

Отрегулируйте вертикальный и горизонтальный наклон (Рис. 7, страница 7).

Проверьте на мониторе полученное поле освещения. Затяните до упора все винты.

6.2.3 Подключения

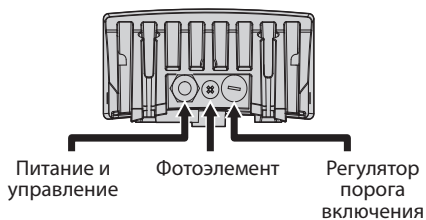


Рис. 10

6.2.4 Регулировка порога срабатывания сумеречного датчика

Осветитель имеет встроенный сумеречный датчик, обеспечивающий автоматическое включение и выключение при заданных условиях освещенности.

Настройка сумеречного датчика выполнена производителем, который заранее установил уровень освещения, подходящий для большинства конфигураций (около 50 люксов). Если нужно выставить иные значения порога срабатывания, вытащите заглушку, установленную на задней части осветителя, и осуществите настройку с помощью отвертки.

Поворот подстроечного резистора по часовой стрелке приведет к более раннему срабатыванию ночного режима (переключение на более высокое значение освещенности). Поворот подстроечного резистора против часовой стрелки приведет к более позднему срабатыванию ночного режима (переключение на более низкое значение освещенности).

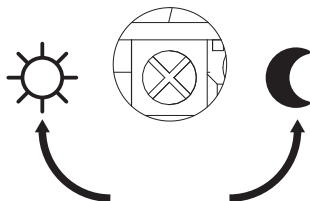


Рис. 11

Дождитесь соответствующих условий освещенности, подходящих для включения осветителя. Медленно поворачивайте подстроечный резистор до включения светодиодов, установленных на боковой стороне резистора. Как только порог срабатывания будет превышен (с включенными светодиодами), слегка поверните подстроечный резистор в обратном направлении.

⚠ По завершении настройки проверьте, чтобы заглушка была плотно вставлена обратно для обеспечения герметичности устройства.

⚠ В случае использования автоматического включения осветителя с помощью встроенного сумеречного выключателя проверьте, чтобы были соответственно изолированы кабели, относящиеся к удаленному управлению (телеуправлению), присутствующие в проводе питания (цвет зеленый и красный).

6.2.5 Деактивирование сумеречного датчика

Для деактивации функции автоматического включения прожектора установите освещенность на минимум (регулируйте потенциометр против часовой стрелки до ограничителя хода). Этим способом можно включить прожектор только с помощью замыкания контакта телеуправления, если имеется централизованная установка сумеречного освещения или контакт, активируемый на расстоянии.

6.2.6 Кабель питания и управления

Осветитель снабжен проводом питания и управления длиной 2м.

Силовые кабели (белый, черный): Осветитель может подавать питание как 24Vac/Vdc, так и 12Vdc. Подайте питание на пару кабелей. (белый, черный, полярность не имеет значения). По вопросам правильного функционирования, в зависимости от типа питания и выбранной модели осветителя, см. таблицы (6.2.7 Технические спецификации кабелей, страница 9).



Для предупреждения нарушений работы изделия подключайте максимум 2 осветителя на каждый блок питания.

Кабели удаленного управления (телеметрия), цвет зеленый и красный:

Кабель управления (телеуправление) гарантирует удаленное включение осветителя с помощью свободного контакта, установленного между выводами зеленого и красного кабеля. Для правильного функционирования убедитесь в том, что фотозащитный элемент отключен (6.2.5 Деактивирование сумеречного датчика, страница 8). Замкните контакт, чтобы включить осветитель. Чтобы выключить контакт, разомкните его.

6.2.7 Технические спецификации кабелей

В зависимости от типа осветителя (модель Low или High power) и напряжения питания соблюдайте следующие максимальные длины кабелей питания (подключаемых к паре проводов белого и черного цвета).

СПЕЦИФИКИ КАБЕЛЕЙ (12VDC)		
Сечение кабеля	Максимальная длина	
	Осветитель версии Low Power	Осветитель версии High Power
0.5мм ² (20AWG)	10m	6m
0.75мм ² (18AWG)	16m	9m
1мм ² (17AWG)	22m	12m
1.5мм ² (16AWG)	32m	18m

Табл. 1

СПЕЦИФИКИ КАБЕЛЕЙ (24VAC/VDC)		
Сечение кабеля	Максимальная длина	
	Осветитель версии Low Power	Осветитель версии High Power
0.34мм ² (22AWG)	25m	15m
0.5мм ² (20AWG)	40m	22m
0.75мм ² (18AWG)	60m	35m
1.5мм ² (16AWG)	120m	70m

Табл. 2

Для кабеля телеуправления (цвет красный и зеленый) используйте провод с минимальным сечением 0,34мм² (22AWG) и макс. длиной 200m.

7 Утилизация отходов



Соответствующий символ и система переработки отходов используются только в странах ЕС и не применяются в странах других регионов мира.

Ваше устройство разработано и произведено из высококачественных материалов и компонентов, которые могут быть переработаны и использованы повторно.

Этот символ обозначает, что электрическое и электронное оборудование после окончания его срока службы следует утилизировать отдельно от бытовых отходов.

Передайте это оборудование в центр сбора отходов или центр переработки мусора вашего населенного пункта.

В Европейском Союзе существуют отдельные системы сбора бывших в употреблении электрических и электронных устройств.

8 Устранение неисправностей

8.1 Контроль электрического питания

Проверьте, чтобы подаваемое на узел напряжение составляло 12-24Vdc или 24Vac +/-10%.

8.2 Проверка функционирования сумеречного датчика

Проверьте функционирование сумеречного датчика, затемняя его черной лентой.

Оставьте открытым контакт телеуправления.

9 Технические характеристики

9.1 Общие характеристики

Корпус из штампованного алюминия

Поставляется в комплекте с кронштейном, перемещающимся по горизонтали и вертикали, из окрашенной оцинкованной стали

Длина волны: 850nm, 940nm, белый свет

9.2 Технические характеристики

Размеры: 133x112x135мм

Вес устройства: 0,9кг

9.3 Электрические характеристики

Напряжение сети/Потребление тока:

- От 12Vdc до 24Vdc, 1A макс. (высокая мощность, 4 светодиода) или 0.5A макс. (низкая мощность, 2 светодиода)
- 24Vac, 1A макс. (высокая мощность, 4 светодиода) или 0.5A макс. (низкая мощность, 2 светодиода), 50/60Hz

Современный светодиод SMD

Встроенный регулируемый фотоэлемент для автоматического включения и выключения

Вход для включения посредством внешнего сухого контакта

Поставляется в комплекте с многожильным кабелем: 4x0.34мм² (22AWG), L=2м

9.4 Осветители

ГЕКО IRN - ФОРМА ЛУЧА И ПОКРЫВАЕМОЕ РАССТОЯНИЕ ДЛЯ ОДНОГО ОСВЕТИТЕЛЯ				
Форма луча по горизонтали/вертикали	Максимальное расстояние			
	850nm, низкая мощность	850nm, высокая мощность	940nm, высокая мощность	Белый свет, высокая мощность
10°	100m	140m	100m	–
30°	60m	84 м	60m	60m ¹
60°	40m	56 м	40m	40m ¹

Табл. 3 Расстояний и относительных показателей зависит от типа камеры / объектива и условий окружающей среды.

¹ Покрываемое расстояние для камеры в режиме дневного наблюдения (цветное изображение)

9.5 Окружающая среда

Внутреннее наблюдение (Indoor)/Наружное наблюдение (Outdoor)

Рабочая температура: От -40°C до +60°C

9.6 Сертификаты

Электробезопасность (CE): EN60950-1, EN60950-22

Электромагнитная совместимость (CE): EN50130-4, EN55022 (Класс A), FCC Part 15 (Класс A)

Фотобиологическая безопасность (CE): EN62471

Степень защиты IP: EN60529, IP66

Степень защиты IK: EN62262 (IK10)

Сертификат UL: cULus Listed (TYPE 4X)

Сертификат EAC

10 Технические чертежи

i Размеры в чертежах выражены в миллиметрах.

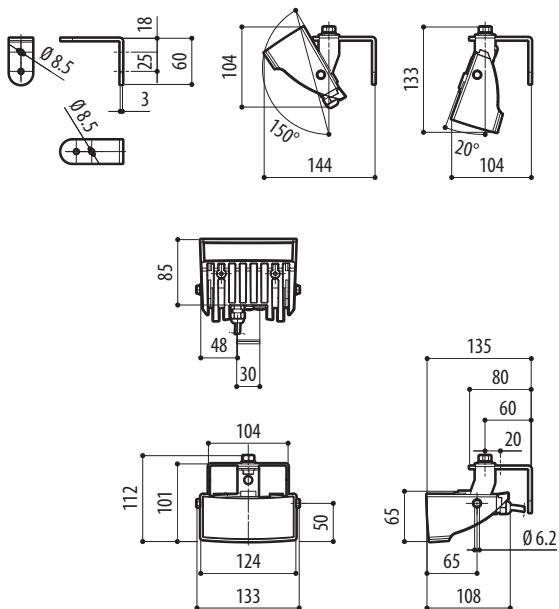


Рис. 12 GEKO IRH.

Headquarters Italy Videotec S.p.A.

Via Friuli, 6 - I-36015 Schio (VI) - Италия
Тел. +39 0445 697411 - Факс +39 0445 697414
Email: info@videotec.com

Asia Pacific Videotec (HK) Ltd

Flat 8, 19/F. On Dak Industrial Building, No. 2-6 Wah Sing Street
Kwai Chung, New Territories - Гонконг
Тел. +852 2333 0601 - Факс +852 2311 0026
Email: info.hk@videotec.com

France Videotec France SARL

Immeuble Le Montreal, 19bis Avenue du Québec, ZA de Courtaboeuf
91140 Villebon sur Yvette - Франция
Тел. +33 1 60491816 - Факс +33 1 69284736
Email: info.fr@videotec.com

Americas Videotec Security, Inc.

Gateway Industrial Park, 35 Gateway Drive, Suite 100
Plattsburgh, NY 12901 - США
Тел. +1 518 825 0020 - Факс +1 518 825 0022
Email: info.usa@videotec.com - www.videotec.com



www.videotec.com

MNVCIRHS_1634_RU

Headquarters Italy Videotec S.p.A.

Via Friuli, 6 - I-36015 Schio (VI) - Italy
Tel. +39 0445 697411 - Fax +39 0445 697414
Email: info@videotec.com

Asia Pacific Videotec (HK) Ltd

Flat 8, 19/F. On Dak Industrial Building, No. 2-6 Wah Sing Street
Kwai Chung, New Territories - Hong Kong
Tel. +852 2333 0601 - Fax +852 2311 0026
Email: info.hk@videotec.com

France Videotec France SARL

Immeuble Le Montreal, 19bis Avenue du Québec, ZA de Courtaboeuf
91140 Villebon sur Yvette - France
Tel. +33 1 60491816 - Fax +33 1 69284736
Email: info.fr@videotec.com

Americas Videotec Security, Inc.

Gateway Industrial Park, 35 Gateway Drive, Suite 100
Plattsburgh, NY 12901 - U.S.A.
Tel. +1 518 825 0020 - Fax +1 518 825 0022
Email: info.usa@videotec.com - www.videotec.us



www.videotec.com
MNV CIRHS_1634