



HEG + VIP6A

DESCRIPTION

Robust and large aluminium housing designed to fit 1/2", 1/3" and 1/4" cameras, with different types of optics.

It can be used for a variety of applications, for the monitoring of urban and highways.

The opening system allows an easy access for installation and servicing.

It can be installed with cable sheaths, instead of regular cable glands using the junction box for the wiring harness.

A wide range of accessories for mounting the equipment is available thereby satisfying all installation needs.

MAIN FEATURES

For large lenses

IP66/IP67

Slide extractable body

Version available with a very efficient cooling system for installation with IP cameras and for high environmental temperature

Versions with reinforced double heater (down to -40°C (-40°F) or triple (down to -50°C (-58°F))

Available accessories: heater, camera power supply, wiper, washer pump

TECHNICAL DATA

GENERAL

Constructed from aluminium

Epoxy polyester powder painting, RAL9002 colour

Stainless steel external screws

MECHANICAL

Internal usable area

- Empty version: 134x88mm (5.3x3.4in)
- Version with double or triple heater : 112x88mm (4.4x3.5in)

Internal usable length (without accessories)

- HEG37: 365mm (14.3in)
- HEG47: 450mm (18in)

Internal usable length (with accessories):

- HEG37: 273mm (10.7in)
- HEG47: 363mm (14in)

Cable glands: 3xM16

Glass window extra clear

- Dimensions (WxH): 94x80mm (3.7x3.1in)

Unit weight

- HEG37: 4.1kg (9lb)
- HEG47: 4.7kg (10.3lb)

ELECTRICAL

Supply voltage/Current consumption (version with heater, Ton 15°C±3°C (59°F±5°F), Toff 22°C±3°C (72°F±5°F)):

- 12Vdc, 1.6A max
- 24Vac, 0.85A max, 50/60Hz
- 120Vac, 0.35A max, 50/60Hz
- 230Vac, 0.18A max, 50/60Hz

Supply voltage/Current consumption (version with double heater, Ton 15°C±3°C (59°F±5°F), Toff 22°C±3°C (72°F±5°F)):

- 120Vac, 0.7A max, 50/60Hz
- 230Vac, 0.35A max, 50/60Hz

Supply voltage/Current consumption (version with triple heater, continuous duty fan , Ton 15°C±3°C (59°F±5°F), Toff 22°C±3°C (72°F±5°F)):

- 120Vac, 1A max, 50/60Hz
- 230Vac, 0.52A max, 50/60Hz

Supply voltage/Current consumption (version with heater, blower and thermostat for models with double filter for air renewal, Ton 35°C±3°C (95°F±5°F), Toff 20°C±3°C (71°F±5°F)):

- 24Vac, 1A max, 50/60Hz
- 120Vac, 0.37A max, 50/60Hz
- 230Vac, 0.19A max, 50/60Hz

Camera power supply:

- IN from 100Vac to 240Vac, 50/60Hz - OUT 12Vdc, 1.25A
- IN 230Vac, 50Hz - OUT 24Vac, 50Hz, 400mA

ENVIRONMENT

For installation indoors and outdoors

Operating temperature with heating: from -20°C (-4°F) to +60°C (140°F)

Operating temperature with double heater: from -40°C (-40°F) to +60°C (140°F)

Operating temperature with triple heater: from -50°C (-58°F) to +60°C (140°F)

CERTIFICATIONS

Electrical safety (CE): EN60065

Electromagnetic compatibility (CE): EN50130-4, EN61000-6-3

IP protection degree:

- EN60529, IP66/IP67 (with cable glands)
- EN60529, IP44 (with double filter for air renewal)

Salty fog resistance: to 1000 hours (ISO9227)

EAC certification

ACCESSORIES

OHEH24B	Heater 120/230Vac for HEG, HTG housings
OHEH25B	Heater 12Vdc/24Vac for HEG, HTG housings
OHEPS19B	Wide range camera power supply IN 100-240Vac - OUT 12Vdc, 1.25A, for VERSO, VERSO POLAR, VERSO COMPACT, HEG, HTG housings
OHEPS20	Camera power supply IN 230Vac - OUT 24Vac, 10VA, for VERSO, VERSO POLAR, VERSO COMPACT, HEG, HTG housings
OHEGBPS1B	Wide range camera power supply IN 100-240Vac - OUT 12Vdc, 1.25A, in weatherproof box, for VERSO, VERSO POLAR, HEG, HTG housings
OHEGBPS2B	Camera power supply IN 230Vac - OUT 24Vac in weatherproof box, 10VA, for VERSO, VERSO POLAR, HEG, HTG housings
OHEGBB	Weatherproof junction box
VIP6A1	Wiper 230Vac for HEG housings
VIP6A2	Wiper 24Vac for HEG housings
WAS0V5L5M00	Water tank 5l (1.3gal), pump with delivery up to 5m (16ft), IN 230Vac-24Vac-120Vac
WAS0V23L5M00	Water tank 23l (6gal), pump with delivery up to 5m (16ft), IN 230Vac-24Vac-120Vac
WAS0V23L11M00	Water tank 23l (6gal), pump with delivery up to 11m (36ft), IN 230Vac-24Vac-120Vac
WAS1V23L30M00	Water tank 23l (6gal), pump with delivery up to 30m (98ft) with water floating, IN 230Vac
WAS3V23L30M00	Water tank 23l (6gal), pump with delivery up to 30m (98ft) with water floating, IN 120Vac
WASPT0V5L5M00	Water tank 5l (1.3gal), pump with delivery up to 5m (16ft), IN 230Vac-24Vac-120Vac
WASPT0V23L5M00	Water tank 23l (6gal), pump with delivery up to 5m (16ft), IN 230Vac-24Vac-120Vac
WASPT0V23L11M00	Water tank 23l (6gal), pump with delivery up to 11m (36ft) with water floating, IN 230Vac-24Vac-120Vac
WASPT1V23L30M00	Water tank 23l (6gal), pump with delivery up to 30m (98ft) with water floating, IN 230Vac
WASPT3V23L30M00	Water tank 23l (6gal), pump with delivery up to 30m (98ft) with water floating, IN 120Vac
DTWRX	Data receiver for remote control of the wiper and WASPT range pumps in stand-alone housings
OSUPPIR	Support for 1 GEKO IRH illuminator under the housing (the combination between OSUPPIR and WBOVA2 wall mount is not compatible with the PUNTO housing)

BRACKETS AND ADAPTORS

WBJA	Wall mount bracket
WCM5A	Ceiling bracket with ball joint
WCPMA	Linear extension for WCM4A2 and WCM5A
WFWCA	Column bracket with joint
DBHWGC	Pole adapter Ø 210mm, max 225mm (8.2in, max 8.9in). To be combined with the reinforcing support plate WCPA.
WCWA	Corner mount adaptor
WSFPA	Pole mount adaptor
WCPA	Reinforcing support plate for poor consistency walls
NXWTU	Wall adaptor module in stainless steel AISI 316L

SPARE PARTS

OHEGS37A000	Sunshield
OHEGS47A000	Sunshield HEG47
DOTHE01	Spacers for camera and lens
OHEGNMAN	Cable glands, gaskets and screws
OHEGFA04	Front cover with screws and gaskets
OHEGFPN04	Back cover with cable glands, gaskets and screws

PACKAGE

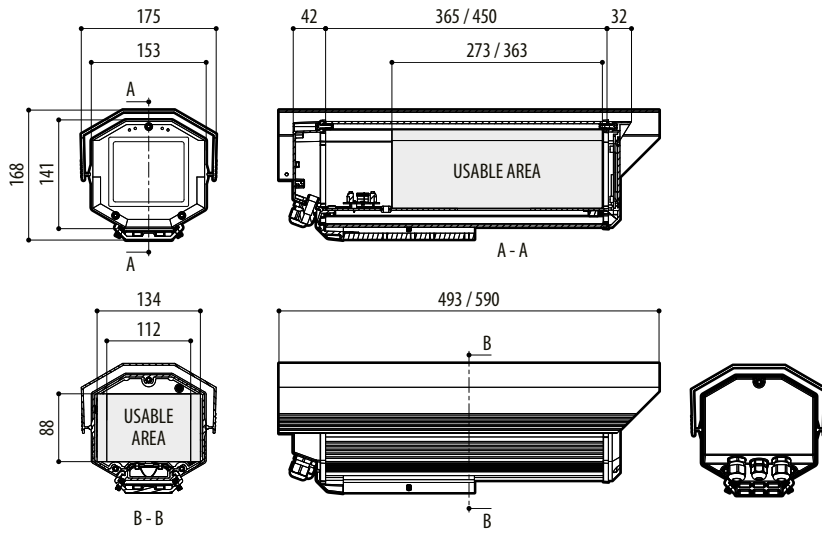
Model Number	Weight	Dimensions (WxHxL)	Master carton
HEG37K1A000	4.1kg (9lb)	19.5x20x52.5cm (7.7x7.9x20.7in)	8
HEG47K1A000	4.7kg (10.3lb)	19.5x20x62cm (7.7x7.9x24.4in)	6

AVAILABLE MODELS

Model Number	Sunshield	Heater 120Vac/230Vac	Heater 12Vdc/24Vac	24Vac fan with double air exchange filter	PS 100/240Vac IN, OUT 12Vdc, 1A for fan, with double air exchange filter	Double heater 120/230Vac	Triple fan- assisted heating 120/230Vac	Max consumption
HEG37K0A000	✓	–	–	–	–	–	–	–
HEG37K1A000	✓	✓	–	–	–	–	–	40W
HEG37K1A074	✓	–	–	–	–	✓	–	80W
HEG37K1A143	✓	–	–	–	–	–	✓	124W
HEG37K2A000	✓	–	✓	–	–	–	–	20W
HEG47K1A000	✓	✓	–	–	–	–	–	40W
HEG47K1A018	✓	✓	–	–	✓	–	–	44W
HEG47K2A000	✓	–	✓	–	–	–	–	20W
HEG47K2A016	✓	–	✓	✓	–	–	–	24W

TECHNICAL DRAWINGS

The indicated measurements are expressed in millimetres.



HEG