

TECHNICAL CHARACTERISTICS

Frequency range	SAT IF	950-2400 MHz
	Terr. TV	5-862 MHz
Through loss	SAT IF	8 dB
	Terr. TV	8 dB
SAT inputs decoupling	SAT IF	30 dB
	Terr. TV	30 dB
DC pass through	V lines	0.5 A max.
	H lines	2 A max. (1 A max. through one line)
	Terr. TV lines	0.1 A max.
Return loss		> 10 dB
Operating temperature range		-20° ÷ + 50° C
Dimensions/Weight (packed)		267x135x30 mm/0.7 kg

PRODUCT DESCRIPTION

Splitter SDQ508 is designed for splitting 5 input lines (4 SAT and 1 terrestrial TV) into 4 paths. The splitter is intended for indoor use only. RoHS compliant.

SAFETY INSTRUCTIONS

Installation of the splitter must be done according local safety standards. Any repairs must be done by a qualified personnel. No naked flame sources, such as lighted candles, should be placed on top.

 This product complies with the relevant clauses of the European Directive 2002/96/EC. The unit must be recycled or discarded according to applicable local and national regulations.

OPERATING

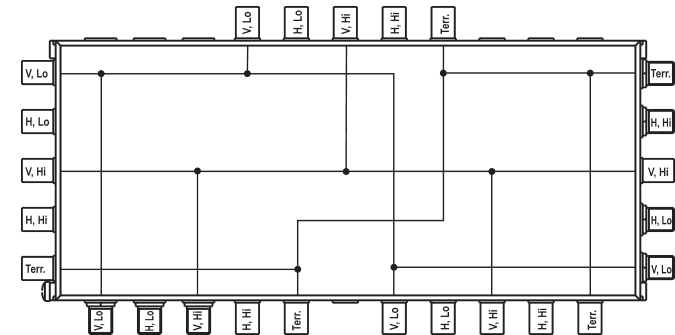
Splitter SDQ508 consists of 5 highly isolated splitters for every input line. Splitters distributes signals into 4 equal parts, maintaining line matching properties and isolation between different paths.

Connectors on splitter can accept cables with central pin diameter up to 1.2 mm.

Any terrestrial TV and vertical polarization line path are transparent for DC, but limits must be maintained.

Horizontal polarization lines can be used for network powering and unacceptable interaction between power supplies in different branches can take place. To avoid such interaction DC switches are inserted into horizontal polarization paths according to the next diagram.

For V lines (14 V) and Terrestrial TV



For H lines (18 V)

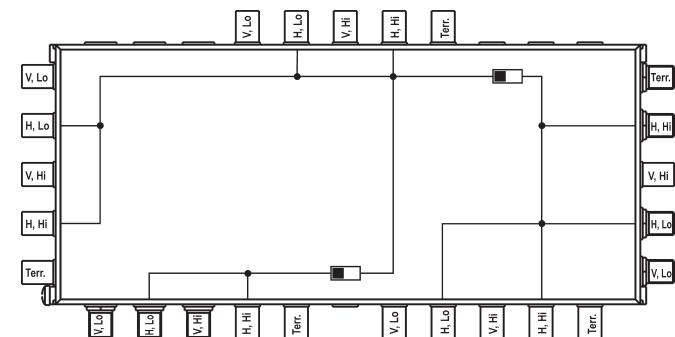


Figure 1. DC pass diagrams